



Manufactured by:  
 Backyard Discovery  
 3305 Airport Drive, Pittsburg, KS 66762  
 800-856-4445

Basepoint Business Centre: Rivermead Drive, Westlea, Swindon SN5 7EX Phone: 0800-118-2476  
 J.P. Coenstraat 7, The Bridge, The Hague, 2595 WP, Netherlands Phone: 08005678990

# 12x10 Barrington Gazebo

## MODEL # : 2206076



Please visit [www.backyarddiscovery.com](http://www.backyarddiscovery.com)  
 For the most up to date assembly manual, to register your product, or to order replacement parts *Para obtener instrucciones en español, visite* [www.backyarddiscovery.com](http://www.backyarddiscovery.com)



EASY STEP-BY-STEP  
 3D INTERACTIVE INSTRUCTIONS  
 DOWNLOAD THE FREE APP



INSTALLATION  
 SERVICES  
 AVAILABLE!  
*See inside for details*

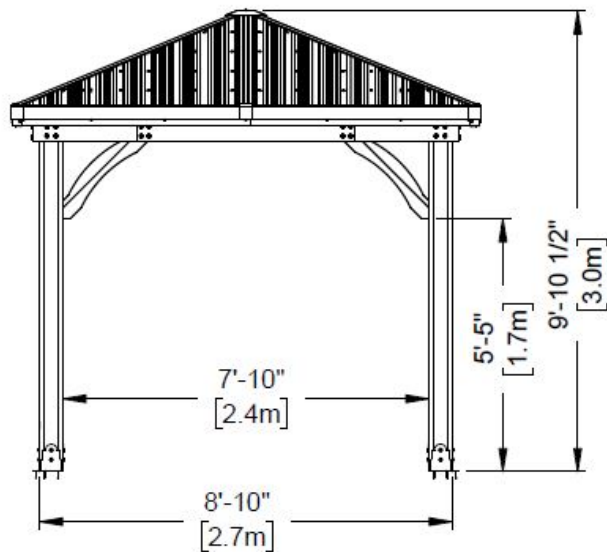
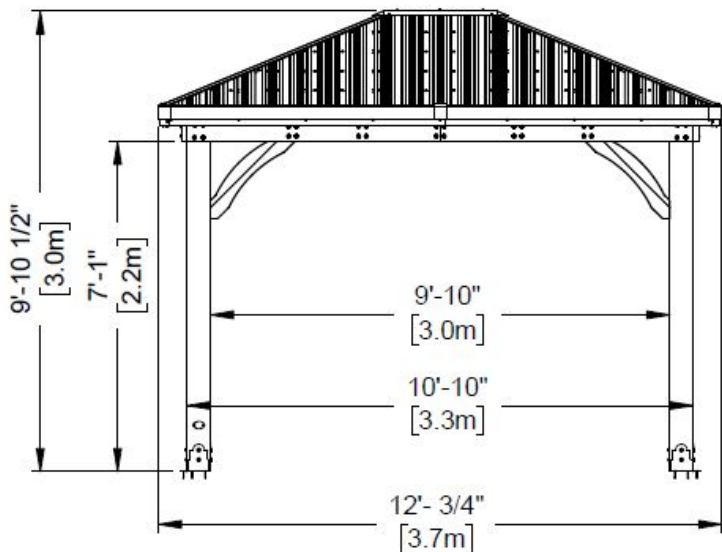
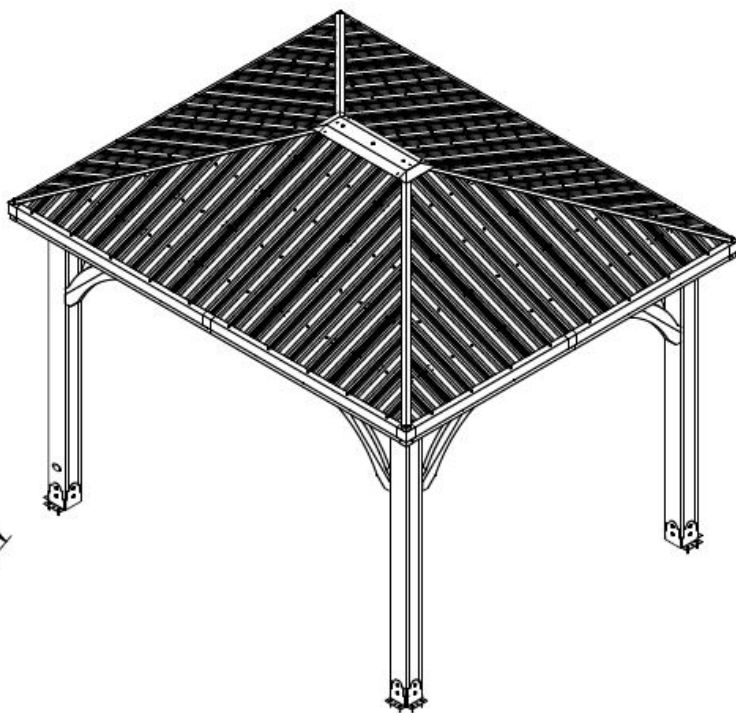
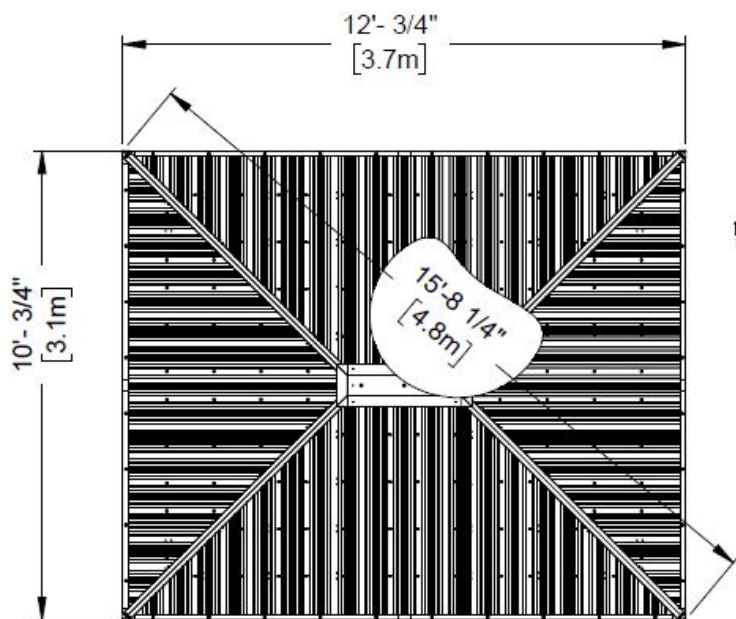
# OWNER'S MANUAL - BASIC SETUP DIMENSIONS & ASSEMBLY NOTES

It is critically important that you start with square and level footings, concrete pad or deck to attach your structure

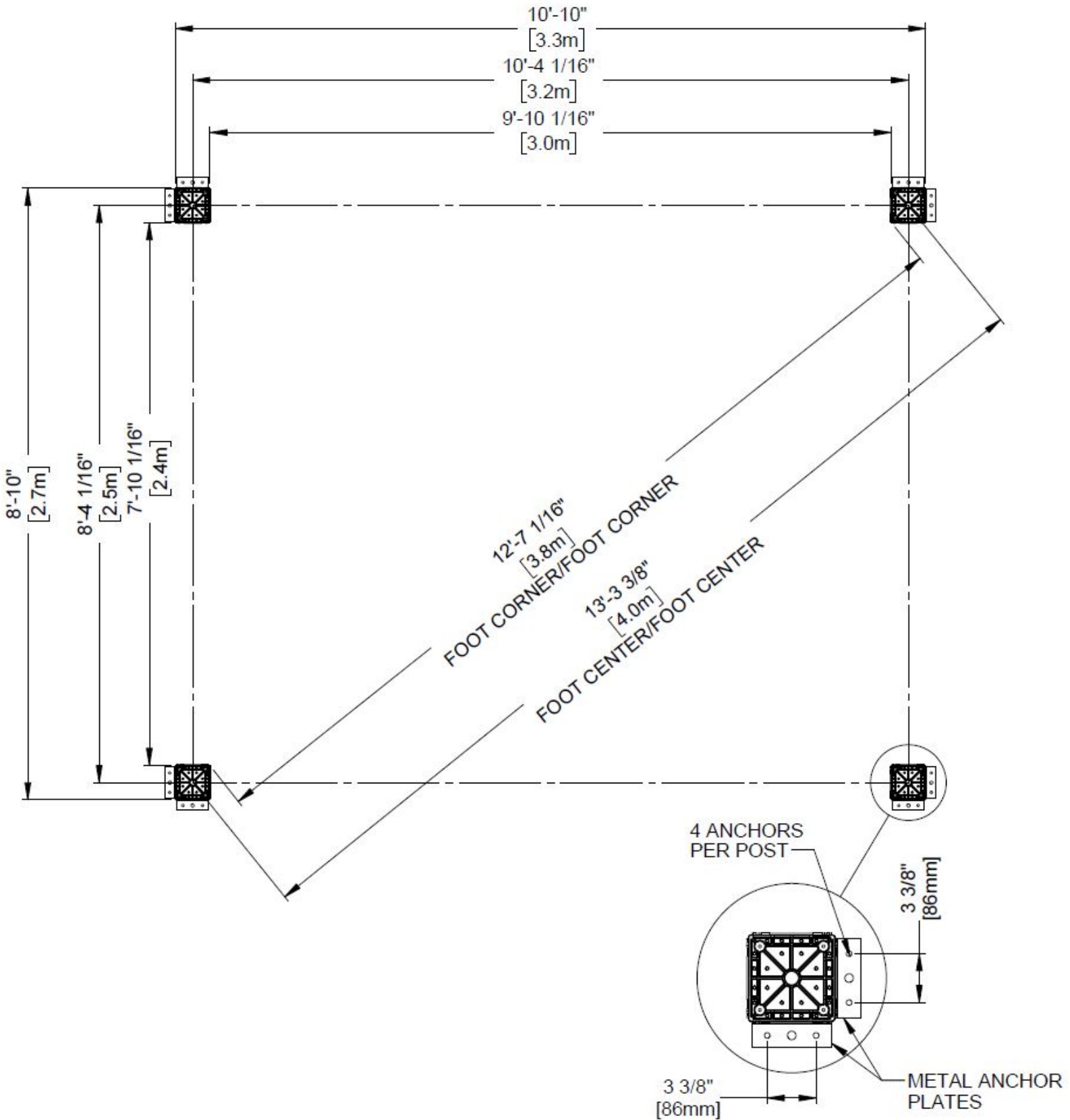
- Pay close attention to the items needed for each step. Make sure you are using the correct hardware for each step. Using incorrect hardware may result in improper assembly
- Remember to double check for underground utilities and overhead electrical lines

**Post mounts are provided with your structure which allows you to permanently install your structure to a pre-existing or new wood or concrete surface. See Anchor Instructions for further details and recommendations.**

- The hardware to attach the post mounts to the structure is included.
- The hardware to mount the structure permanently to a concrete surface is included.
- The hardware to mount the structure permanently to a wood deck is NOT included and will need to be purchased separately. You must ensure there is ample structural support under the deck before permanently attaching.



# OWNER'S MANUAL - ANCHORING LAYOUT



# OWNER'S MANUAL - PARTS IDENTIFICATION

## Wood Components (Not to Scale)



D01 BEAM - W4L16778  
(x4) 1 7/16"x5 1/4"x30 15/16" (36x134x786)



D02 BEAM - W4L16779  
(x2) 1 7/16"x5 1/4"x55 3/4" (36x134x1416)



E01 RAFTER - W4L16786  
(x2) 1 7/16"x3 3/8"x20 13/16" (36x86x528)



E03 RAFTER - W4L16788  
(x2) 1 7/16"x3 3/8"x58 1/8" (36x86x1477)



E02 RAFTER - W4L16787  
(x2) 1 7/16"x3 3/8"x39 7/16" (36x86x1002)



E04 RAFTER - W4L16789  
(x2) 1 7/16"x3 3/8"x63 11/16" (36x86x1617)



E05 RAFTER - W4L16790  
(x2) 1 7/16"x3 3/8"x58 1/8" (36x86x1477)



E06 RAFTER - W4L16791  
(x2) 1 7/16"x3 3/8"x39 7/16" (36x86x1002)



E07 RAFTER - W4L16792  
(x2) 1 7/16"x3 3/8"x20 13/16" (36x86x528)



E08 RAFTER - W4L16804  
(x2) 1 7/16"x3 3/8"x57 1/2" (36x86x1460)



E09 RAFTER - W4L16805  
(x2) 1 7/16"x3 3/8"x41 3/16" (36x86x1047)



E10 RAFTER - W4L16806  
(x2) 1 7/16"x3 3/8"x20 3/4" (36x86x527)



E11 RAFTER - W4L16807  
(x2) 1 7/16"x3 3/8"x41 3/16" (36x86x1047)



E12 RAFTER - W4L16808  
(x2) 1 7/16"x3 3/8"x20 3/4" (36x86x527)



G01 BEAM - W4L16775  
(x4) 15/16"x5 1/4"x46" (24x134x1144)



G02 BEAM - W4L16776  
(x2) 15/16"x5 1/4"x39 15/16" (24x134x1014)



G03 BEAM - W4L16777  
(x4) 15/16"x5 1/4"x65" (24x134x1651)



H01 ROOF SUPPORT - W4L16781  
(x4) 15/16"x3 3/8"x75 3/16" (24x86x1909)



H02 ROOF JOIST - W4L16782  
(x2) 15/16"x3 3/8"x25 9/16" (24x86x648)



H03 ROOF JOIST - W4L16783  
(x2) 15/16"x3 3/8"x86 3/4" (24x86x2203)

# OWNER'S MANUAL - PARTS IDENTIFICATION

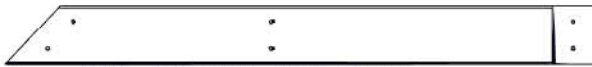
## Wood Components (Not to Scale)



H04 ROOF JOIST - W4L16784  
(x2) 15/16"x3 3/8"x85 3/4" (24x86x2203)



H05 PURLIN - W4L16793  
(x2) 15/16"x3 3/8"x80 3/16" (24x86x2036)



H06 PURLIN - W4L16794  
(x2) 15/16"x3 3/8"x33 5/8" (24x86x854)



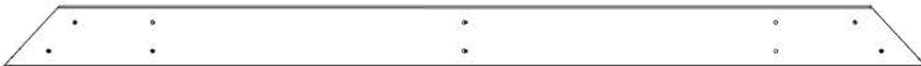
H07 PURLIN - W4L16795  
(x2) 15/16"x3 3/8"x45 11/16" (24x86x1160)



H08 PURLIN - W4L16796  
(x2) 15/16"x3 3/8"x68 1/8" (24x86x1730)



H09 PURLIN - W4L16797  
(x2) 15/16"x3 3/8"x75 1/4" (24x86x1912)



H10 PURLIN - W4L16798  
(x2) 15/16"x3 3/8"x51 1/8" (24x86x1299)



H11 ROOF JOIST - W4L16801  
(x2) 15/16"x3 3/8"x12 15/16" (24x86x328)



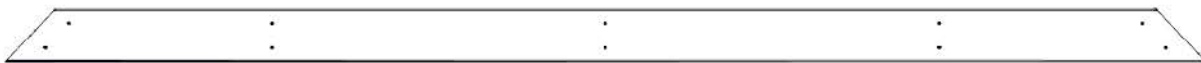
H12 ROOF JOIST - W4L16802  
(x2) 15/16"x3 3/8"x79 1/4" (24x86x2013)



H13 PURLIN - W4L16803  
(x2) 15/16"x3 3/8"x79 1/4" (24x86x2013)



H14 PURLIN - W4L16809  
(x4) 15/16"x3 3/8"x50 13/16" (24x86x1290)



H15 PURLIN - W4L16810  
(x2) 15/16"x3 3/8"x74 15/16" (24x86x1904)



H16 PURLIN - W4L16811  
(x2) 15/16"x3 3/8"x50 11/16" (24x86x1288)



H17 PURLIN - W4L16812  
(x2) 15/16"x3 3/8"x26 1/2" (24x86x673)



H29 ROOF SUPPORT - W4L15160  
(x1) 15/16"x3 3/8"x24" (24x86x610)

# OWNER'S MANUAL - PARTS IDENTIFICATION

## Wood Components (Not to Scale)



Q01 ROOF JOIST - W4L16785  
(x4) 15/16"x4 7/16"x72 1/4" (24x112x1835)



Q02 ROOF JOIST - W4L16800  
(x4) 15/16"x4 7/16"x61 3/16" (24x112x1554)



T02 PURLIN - W4L16813  
(x2) 15/16"x1 5/16"x15" (24x34x382)



T01 PURLIN - W4L16799  
(x2) 15/16"x1 5/16"x27 7/8" (24x34x708)



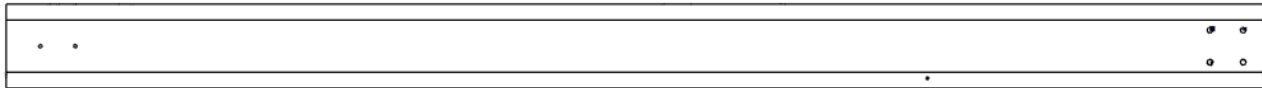
C01 CORBEL - W2A03198  
(x7) 1 7/16"x6 7/16"x36 1/4" (36x163x893)



C02 CORBEL W/TAG - W2A03199  
(x1) 1 7/16"x6 7/16"x36 1/4" (36x163x893)



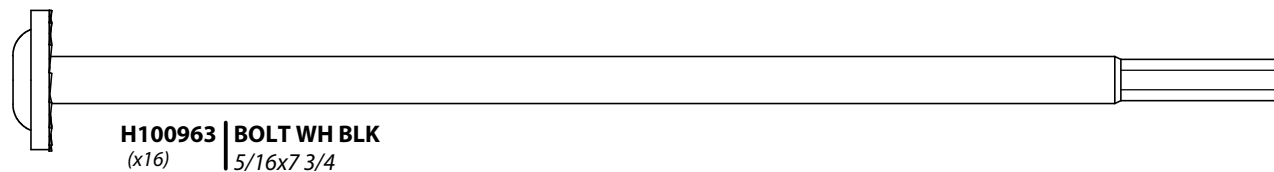
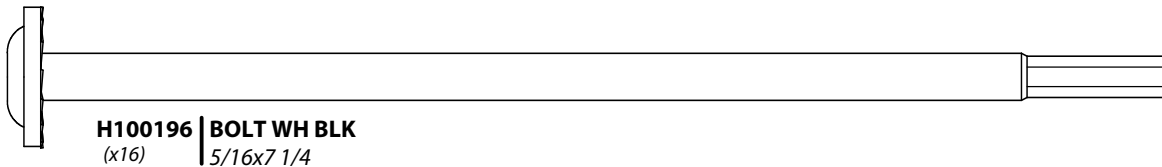
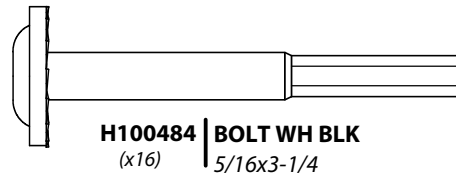
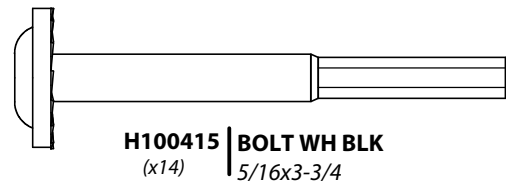
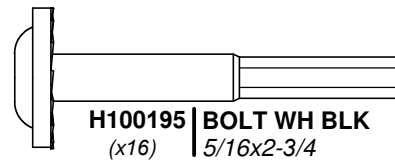
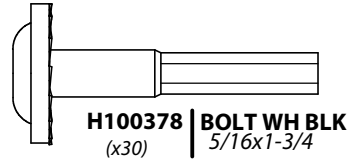
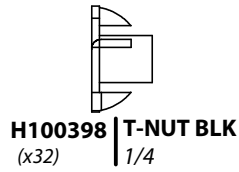
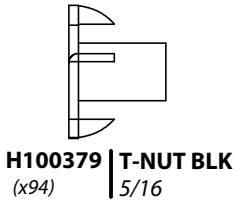
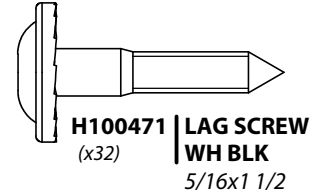
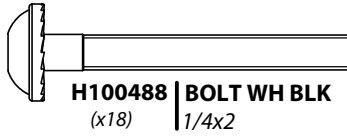
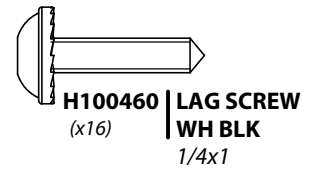
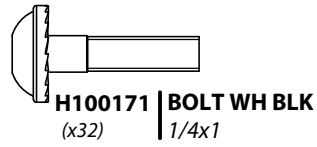
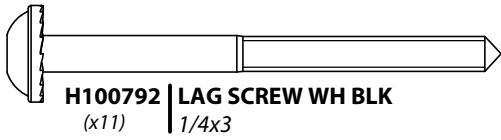
P01 POST - W2A03202  
(x2) 6"x6"x89 1/2" (152x152x2274)



P02 POST - W2A03203  
(x2) 6"x6"x89 1/2" (152x152x2274)

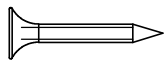
# OWNER'S MANUAL - PARTS IDENTIFICATION

## Hardware Components

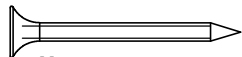


# OWNER'S MANUAL - PARTS IDENTIFICATION

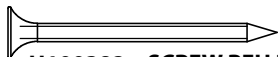
## Hardware Components



**H100385 | SCREW PFH BLK**  
(x36) | 8x1



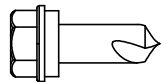
**H100200 | SCREW PFH BLK**  
(x18) | 8x1 1/2



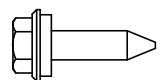
**H100382 | SCREW PFH BLK**  
(x40) | 8x1 3/4



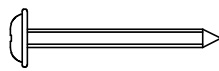
**H100391 | SCREW PFH BLK**  
(x188) | 8x2



**H100759 | SCREW TAPPING**  
(x44) | 1/4x1



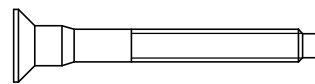
**H100833 | SCREW WOODGRIP**  
(x188) | 10x3/4



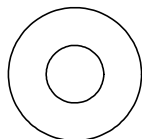
**H100536 | SCREW PWH BLK**  
(x36) | 8x1 1/4



**H100392 | SCREW PWH BLK**  
(x16) | 8x3/4



**H101030 | SCREW CONFIRMAT BLK**  
(x96) | 7x2



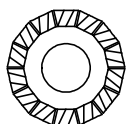
**H100770 | WASHER FLAT BLK 5/16**  
(x14)



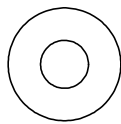
**H101034 | WEATHER PROOF WASHER**  
(x3)



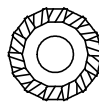
**H100479 | NUT LOCK BLK 5/16**  
(x14)



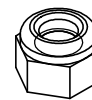
**H100198 | WASHER LOCK EXT BLK 8x19**  
(x108)



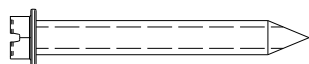
**H100630 | WASHER FLAT BLK 8x19**  
(x34)



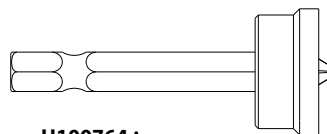
**H100405 | WASHER LOCK EXT BLK 6x15**  
(x8)



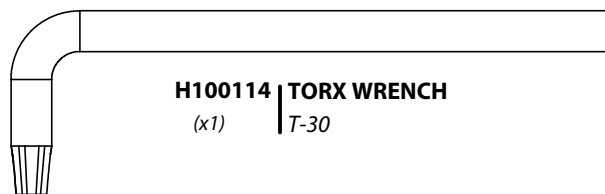
**H100653 | NUT LOCK BLK 1/4**  
(x18)



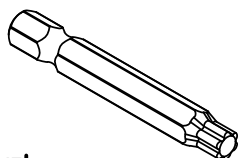
**H100120 | SCREW CONCRETE ANCHOR**  
(x16) | 1/4x2



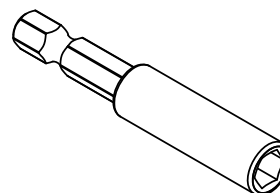
**H100764 | SCREW SETTER**  
(x1)



**H100114 | TORX WRENCH T-30**  
(x1)



**H100147 | T-30 TORX BIT**  
(x1)

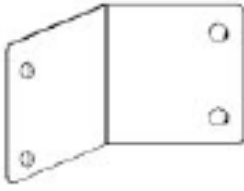


**H101100 | BIT ADAPTOR**  
(x1)

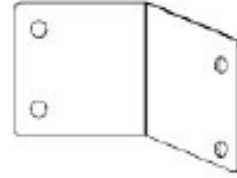


# OWNER'S MANUAL - PARTS IDENTIFICATION

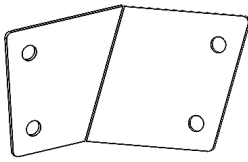
## Accessory Components (Not to Scale)



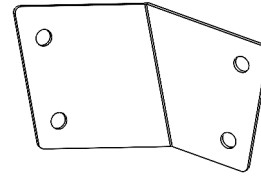
**A4M01667** | PANEL BRACKET  
(x2)



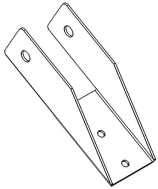
**A4M01666** | PANEL BRACKET  
(x2)



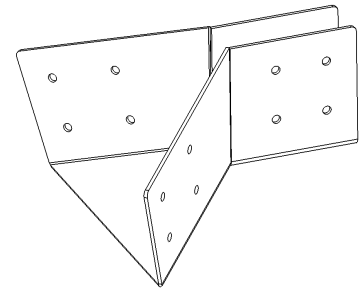
**A4M01664** | PANEL BRACKET  
(x2)



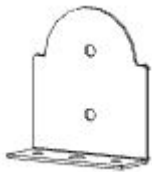
**A4M01665** | PANEL BRACKET  
(x2)



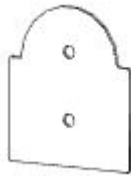
**A4M01228** | RAFTER CLIP  
(x18)



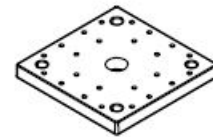
**A4M01184** | PANEL SUPPORT BRACKET  
(x2)



**A4M01793** | STEEL POST PLATE  
(x8)



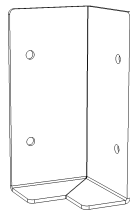
**A4M01794** | STEEL POST ANCHOR PLATE  
(x8)



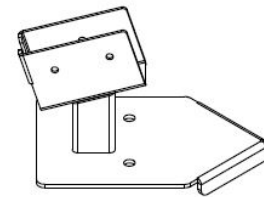
**A6P00308** | 6x6 POST FOOT  
(x4)



**A100241** | BYD ID TAG  
(x1) | (SMALL)  
WITHOUT AGES



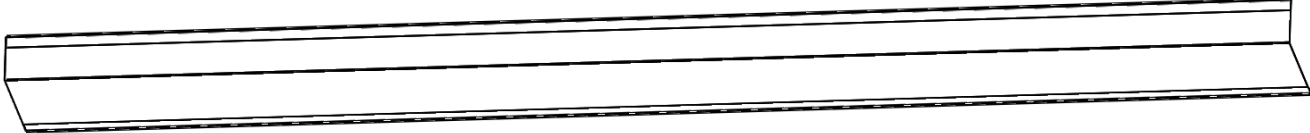
**A4M01185** | CORNER BRACKET  
(x4)



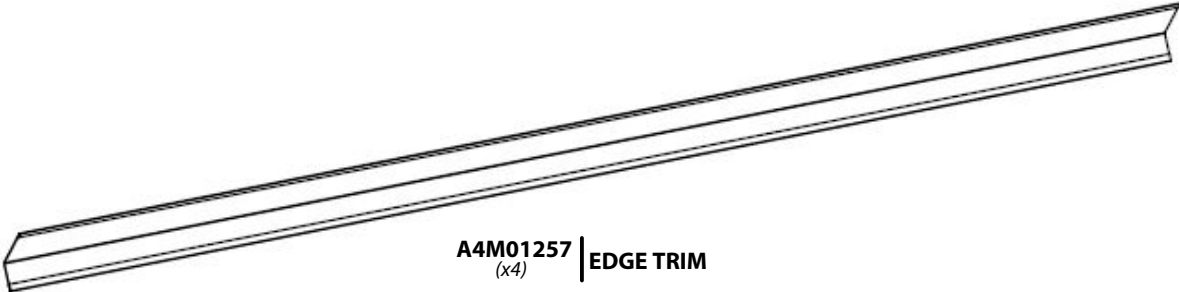
**A4M01234** | POST CLIP  
(x4)

# OWNER'S MANUAL - PARTS IDENTIFICATION

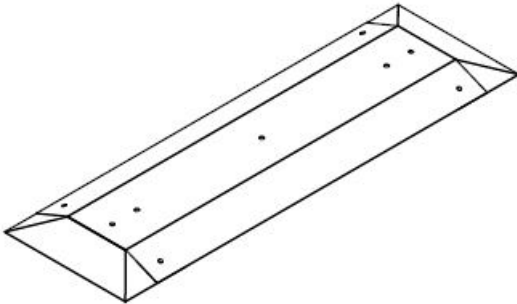
## Accessory Components (Not to Scale)



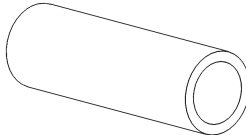
**A4M01661** | EDGE TRIM SHORT  
(x4)



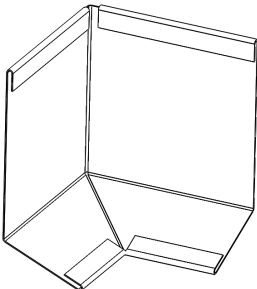
**A4M01257** | EDGE TRIM  
(x4)



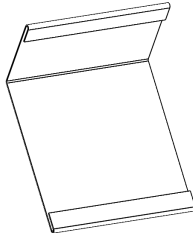
**A4M01256** | RIDGE PEAK CAP  
(x1)



**A4M01205** | METAL SPACER  
(x3)



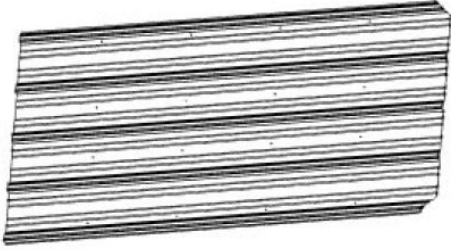
**A4M01202** | EDGE TRIM CORNER SPLICE  
(x4)



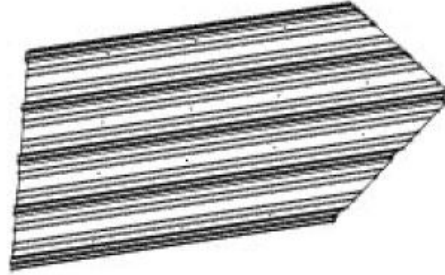
**A4M01201** | EDGE TRIM SPLICE  
(x4)

# OWNER'S MANUAL - PARTS IDENTIFICATION

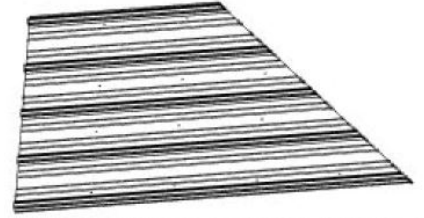
## Accessory Components (Not to Scale)



**A4M01669-1** | 29 GA STEEL SHEETING  
(x2)



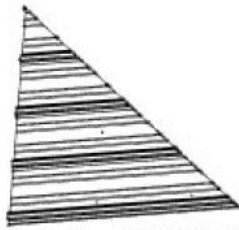
**A4M01669-2** | 29 GA STEEL SHEETING  
(x2)



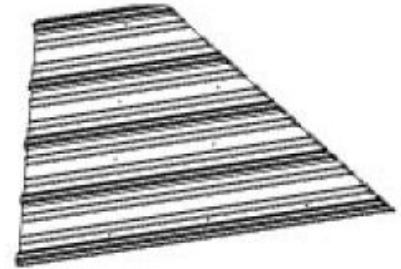
**A4M01670-1** | 29 GA STEEL SHEETING  
(x2)



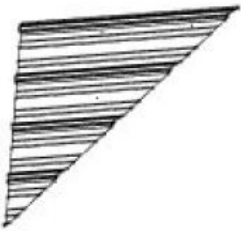
**A4M01670-2** | 29 GA STEEL SHEETING  
(x2)



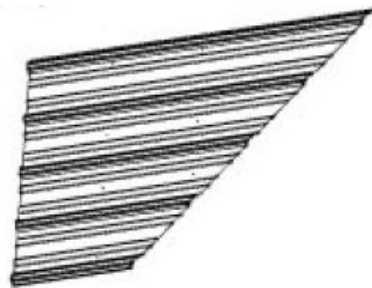
**A4M01671-1** | 29 GA STEEL SHEETING  
(x2)



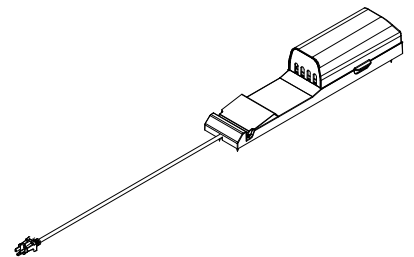
**A4M01671-2** | 29 GA STEEL SHEETING  
(x2)



**A4M01672-1** | 29 GA STEEL SHEETING  
(x2)



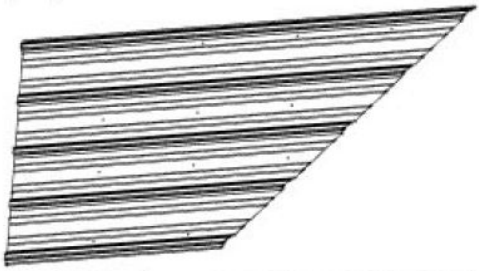
**A4M01672-2** | 29 GA STEEL SHEETING  
(x2)



**9205413** | ELECTRICAL ENCLOSURE  
(x1)

# OWNER'S MANUAL - PARTS IDENTIFICATION

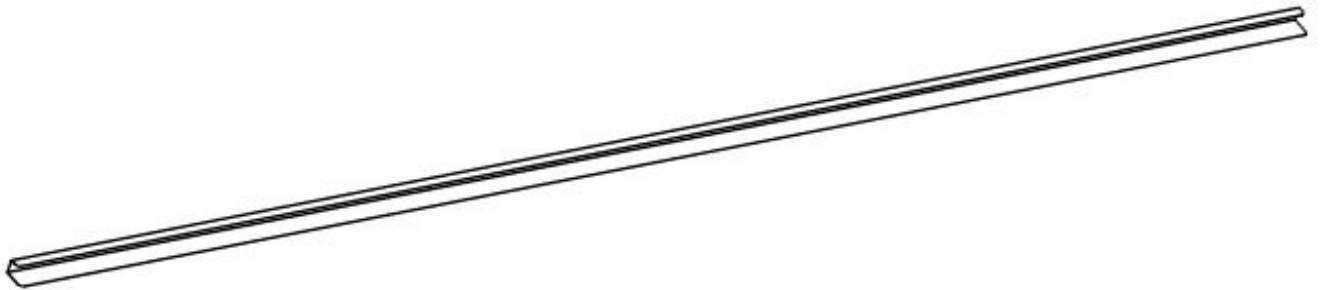
## Accessory Components (Not to Scale)



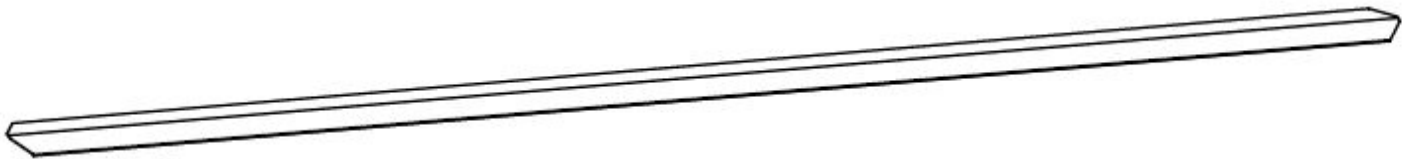
**A4M01673-1** | 29 GA STEEL SHEETING  
(x2)



**A4M01673-2** | 29 GA STEEL SHEETING  
(x2)



**A4M01198** | RIDGE CAP CHANNEL  
(x8)



**A4M01199** | CORNER RIDGE CAP  
(x4)

# PRE-ASSEMBLY STEP 1 - SORTING PARTS

It is critical for ease of assembly that you take the time to sort and organize the wood and hardware.

---

## WOOD PARTS:

- Organize wood parts by the three-digit, alpha-numeric number stamped on each board (ex. P01).
- If there are multiple boards with the same stamped number, stack those pieces together.
- Stamps can be found on the flat surface of the boards or on the end of the boards.
- Allow yourself plenty of room - the wood pieces can take up a significant amount of space.

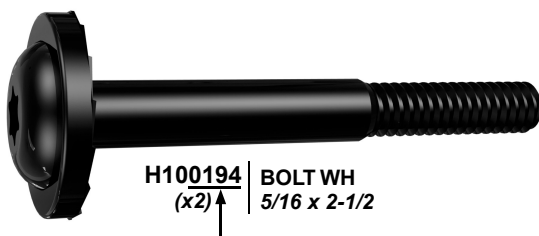
**NOTE: CARTONS ARE NOT ORGANIZED BY BOARD NUMBER.**



---

## HARDWARE PARTS:

- We recommend that you have a separate table to organize the hardware.
- Hardware bags are printed with a seven-digit, alpha-numeric part number.
- You can organize your hardware by part number or group by hardware type (i.e. bolts, nuts, etc.).
- During assembly you only need to reference the last four digits of the number.



# PRE-ASSEMBLY STEP 2 - TOOLS REQUIRED



Cordless Drill or  
Electric Drill



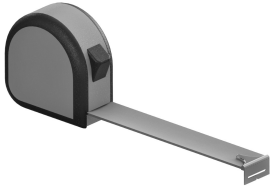
Drill Attachments:  
Phillips Head



1/8", 3/16", 3/8" &  
7/16" Drill Bits



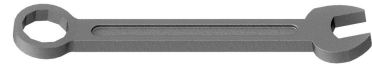
Phillips Screw Driver



Tape Measure



Claw Hammer



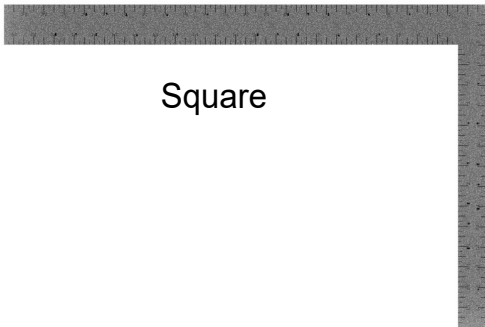
Open End  
Wrenches 1/2" &  
7/16"



3/8" Drive Ratchet, 1/2" &  
7/16" STD Sockets, 1/2" &  
7/16" Deep Sockets



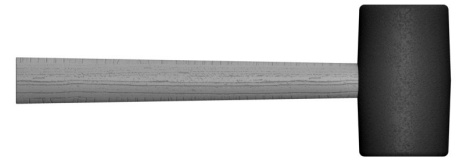
3/8 & 5/16" Nut Drivers



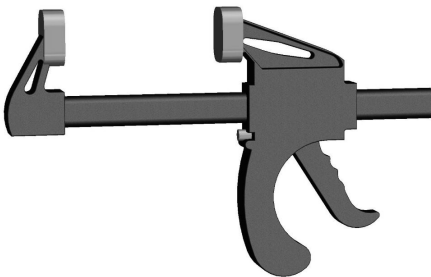
Square



Level 24"



Rubber Mallet -  
Optional



A6P00460 | QUICK RELEASE  
(2) BAR CLAMP

# PRE-ASSEMBLY STEP 3 - CHOOSE YOUR ASSEMBLY METHOD

There are several types of assembly instructions available to you.

1. Printed Assembly Manual included with your set
2. BILT APP - 3D interactive instructions
3. Combination of the Printed Manual and BILT APP (Note: Step numbers can differ between the two methods)



# STEP 1 - 10FT POST ASSEMBLY

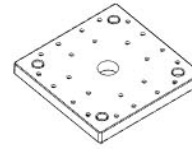
Qty	PART NUMBER	DESCRIPTION
8	H100200	SCREW PFH 8x1 1/2 BLK



P01 POST - W2A03202  
(x1) 6"x6"x89 1/2" (152x152x2274)



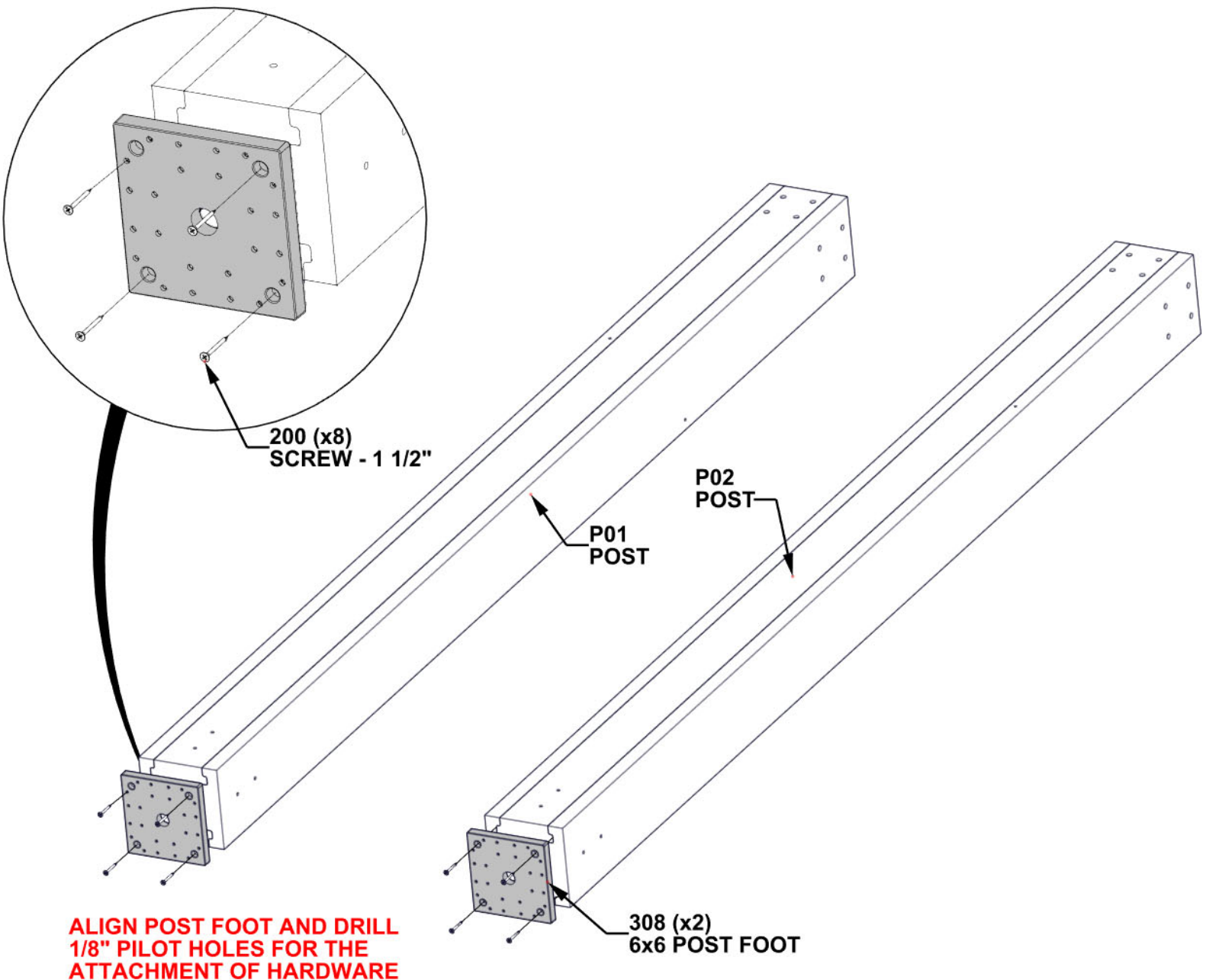
P02 POST - W2A03203  
(x1) 6"x6"x89 1/2" (152x152x2274)



A6P00308 6x6 POST FOOT  
(x2)

## TIPS:

- FOR EASE OF ASSEMBLY, SAW HORSES ARE RECOMMENDED FOR STEPS 1 THROUGH 3.





# STEP 2 - 10FT BEAM ASSEMBLY

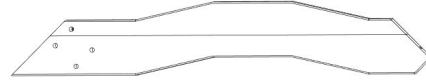


D02 BEAM - W4L16779  
(x1) 36x5 1/4"x55 3/4" (36x134x1416)



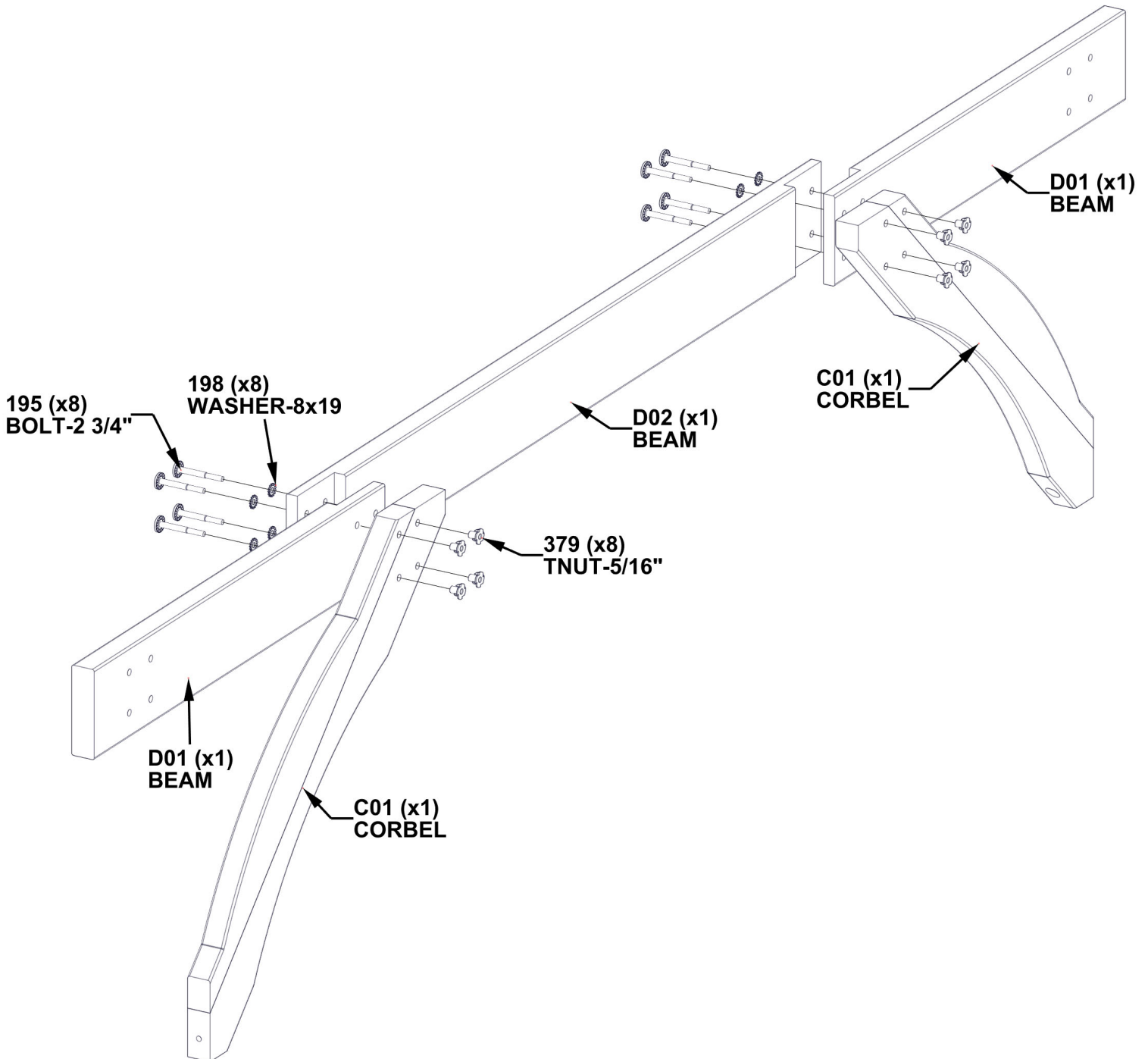
D01 BEAM - W4L16778  
(x2) 1 7/16"x5 1/4"x30 15/16" (36x134x786)

Qty	PART NUMBER	DESCRIPTION
8	H100195	BOLT WH 5/16x2 3/4 BLK
8	H100198	WASHER LOCK EXT 8X19 BLK
8	H100379	TNUT-5/16" BLK



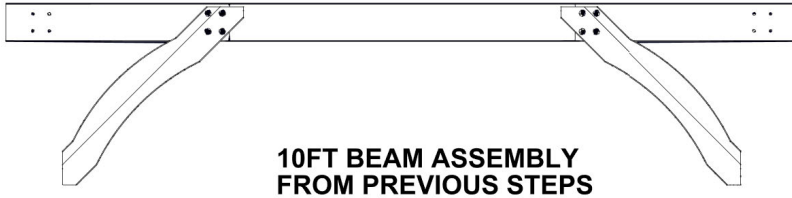
C01 CORBEL - W2A03198  
(x2) 1 7/16"x6 7/16"x36 1/4" (36x163x893)

## INSERT T-NUTS FIRST



# STEP 3 - 10FT BEAM ASSEMBLY

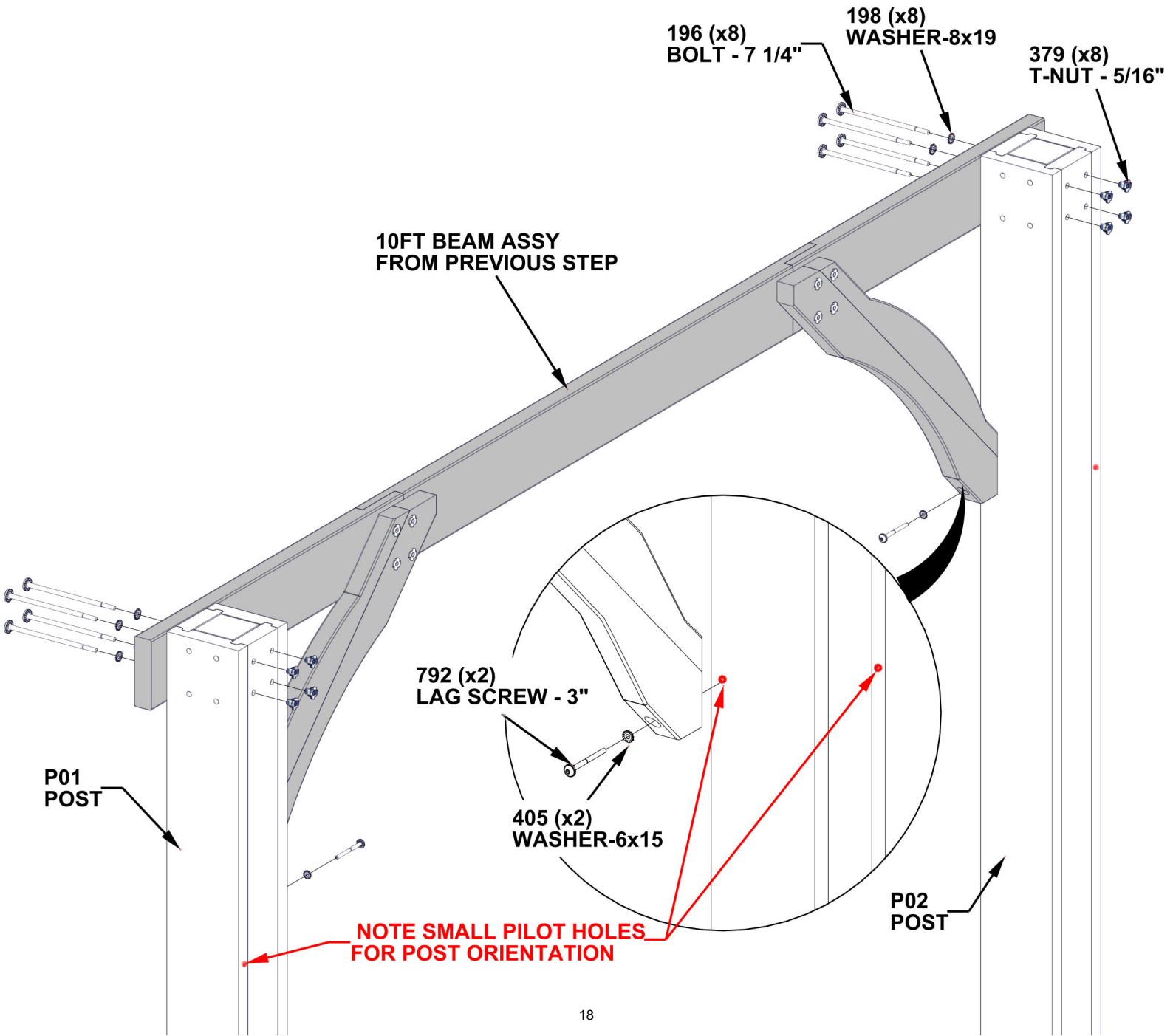
Qty	PART NUMBER	DESCRIPTION
8	H100196	BOLT WH 5/16x7 1/4 BLK
8	H100198	WASHER LOCK EXT 8X19 BLK
8	H100379	TNUT-5/16" BLK
2	H100405	WASHER LOCK EXT 6X15 BLK
2	H100792	LAG SCREW WH 1/4x3 BLK



## INSERT T-NUTS FIRST

### TIPS:

- TO AVOID WOOD SPLITTING, MAKE SURE LAG SCREWS GO INTO PILOT HOLES.
- SAW DUST CAN BE LEFT BEHIND IN BOLT HOLES. IF YOU HAVE TROUBLE WITH BOLTS ENGAGING, USE A LONG SCREWDRIVER TO REMOVE DEBRIS.



**SET 10FT ASSEMBLY TO THE SIDE  
AND REPEAT STEPS 1 THROUGH 3**

# STEP 4 - 12FT BEAM ASSEMBLY

Qty	PART NUMBER	DESCRIPTION
8	H100198	WASHER LOCK EXT 8X19 BLK
8	H100378	BOLT WH 5/16x1 3/4 BLK
8	H100379	T-NUT 5/16 BLK

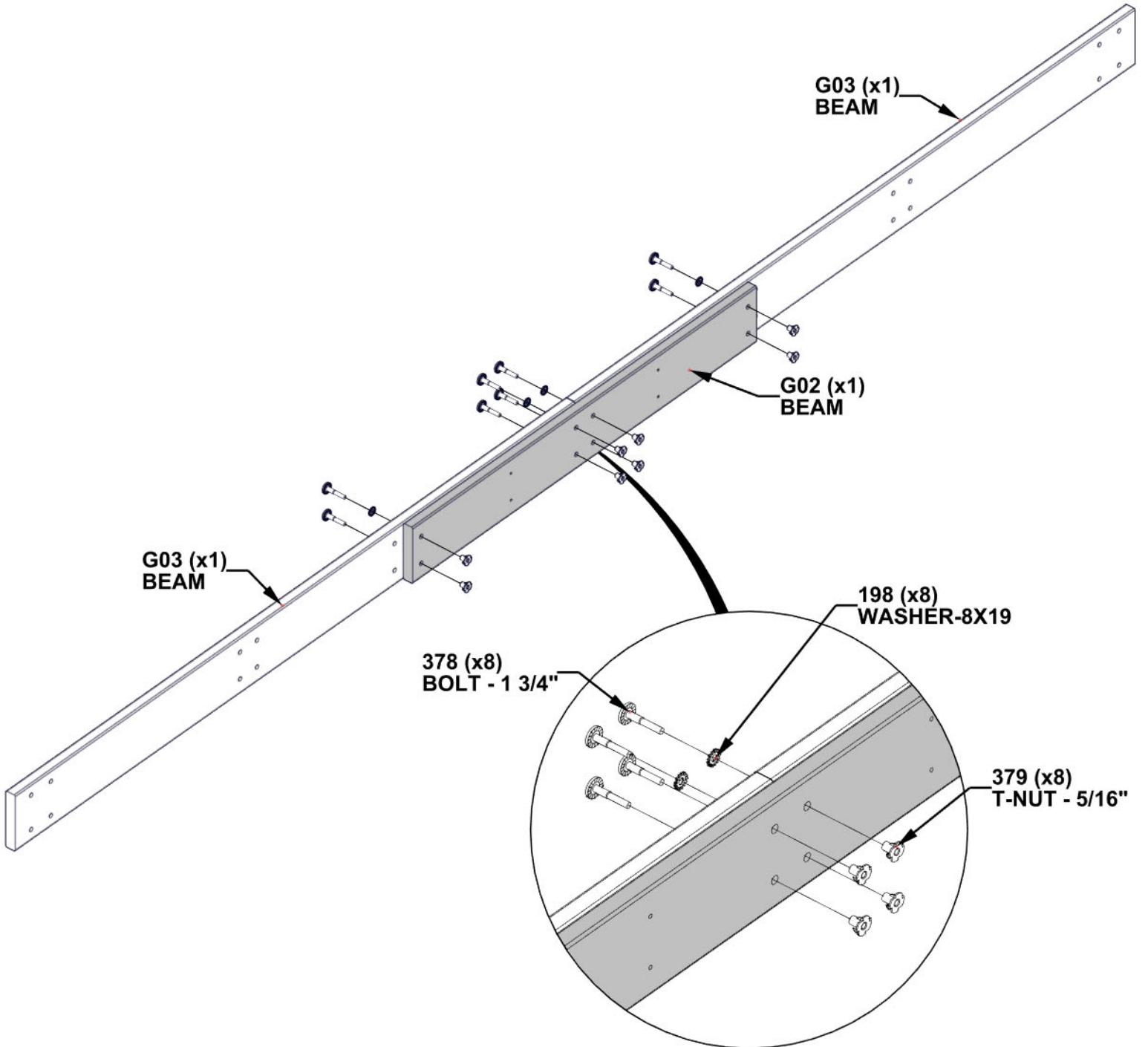


G03 BEAM - W4L16777  
 (x2) 15/16"x5 1/4"x65" (24x134x1651)



G02 BEAM - W4L16776  
 (x1) 15/16"x5 1/4"x39 15/16" (24x134x1014)

**INSERT T-NUTS FIRST**



# STEP 5 - 12FT BEAM ASSEMBLY

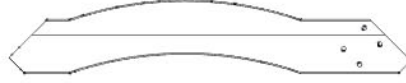
Qty	PART NUMBER	DESCRIPTION
12	H100198	WASHER LOCK EXT 8X19 BLK
4	H100378	BOLT WH 5/16x1 3/4 BLK
12	H100379	T-NUT 5/16 BLK
8	H100484	BOLT WH 5/16x3 1/4 BLK



G01 BEAM - W4L16775  
(x2) 15/16"x5 1/4"x46" (24x134x1146)

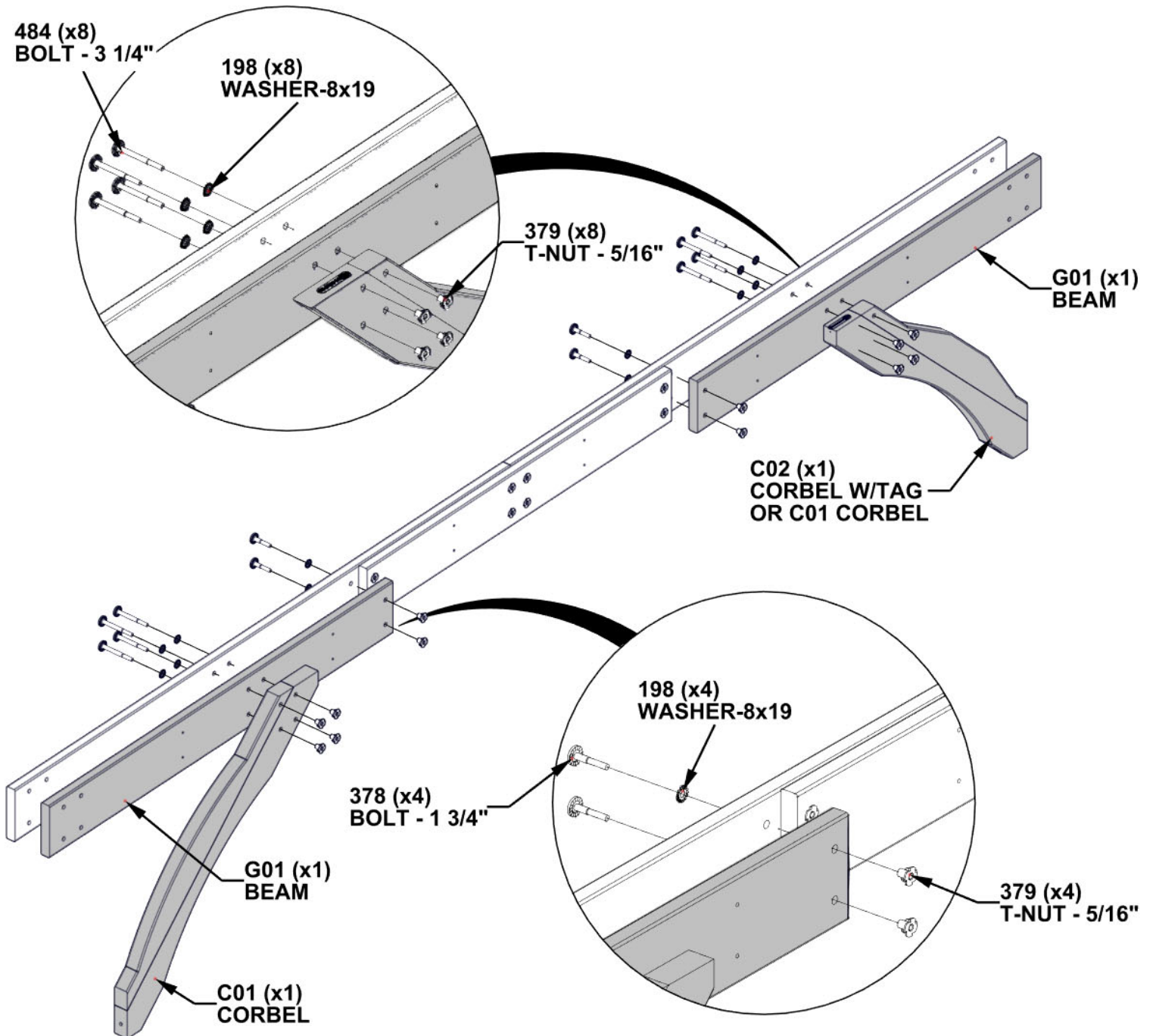


C01 CORBEL - W2A03198  
(x1) 1 7/16"x6 7/16"x36 1/4" (36x163x893)



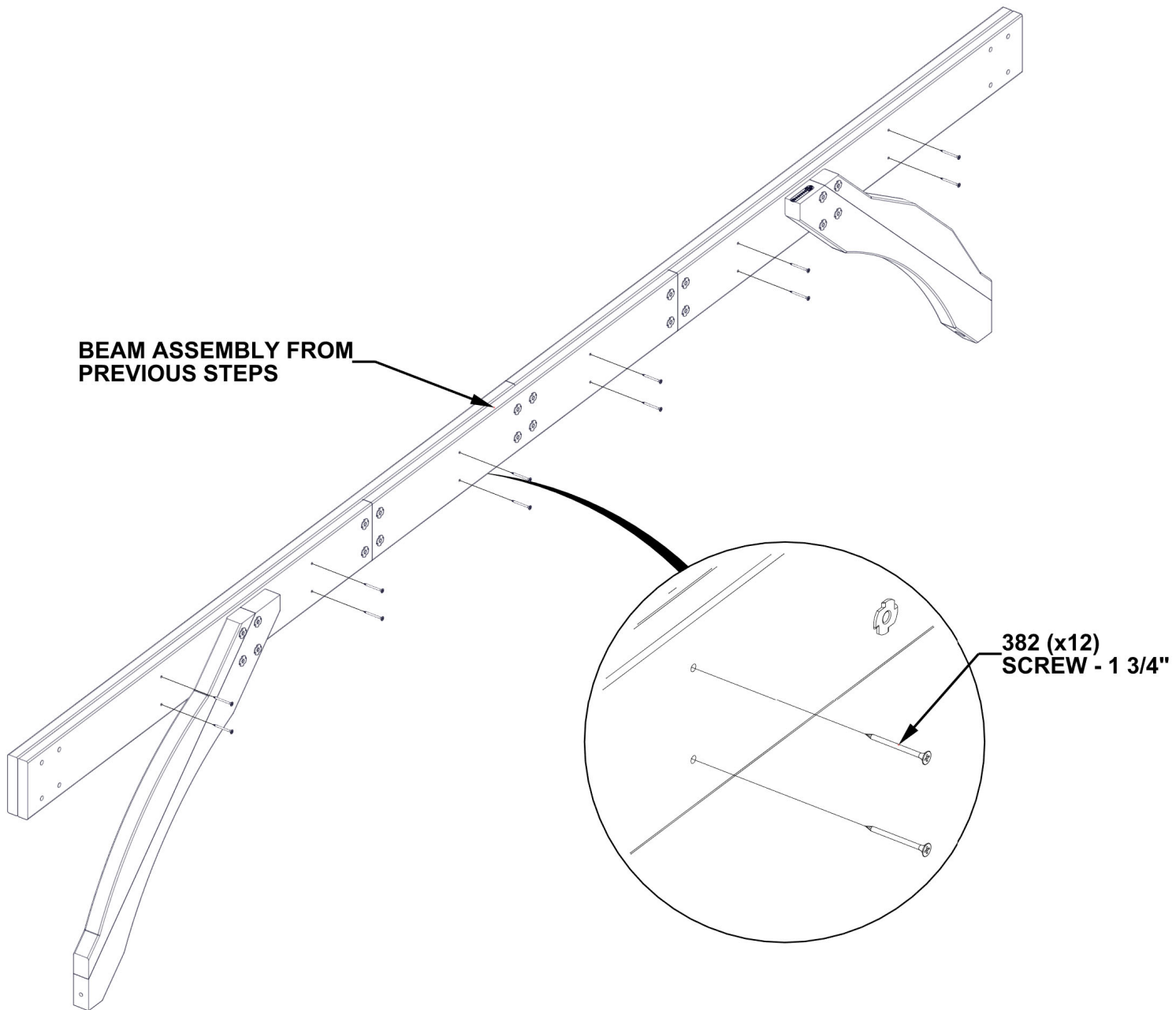
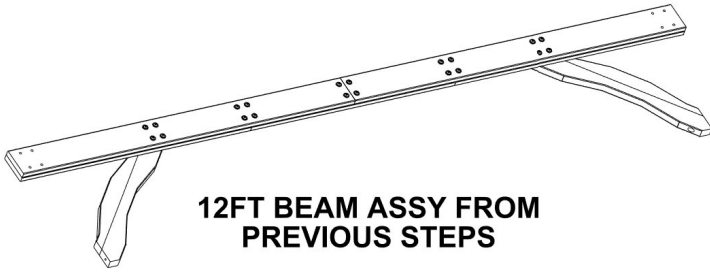
C02 CORBEL W/TAG - W2A03199  
(x1) 1 7/16"x6 7/16"x36 1/4" (36x163x893)

**INSERT T-NUTS FIRST**  
**CORBELS ARE TO BE HAND TIGHTENED ONLY**



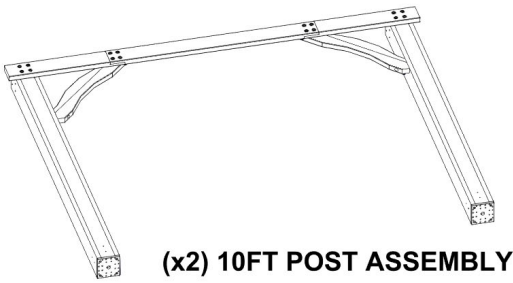
# STEP 6 - 12FT BEAM ASSEMBLY

Qty	PART NUMBER	DESCRIPTION
12	H100382	SCREW PFH 8x1 3/4 BLK



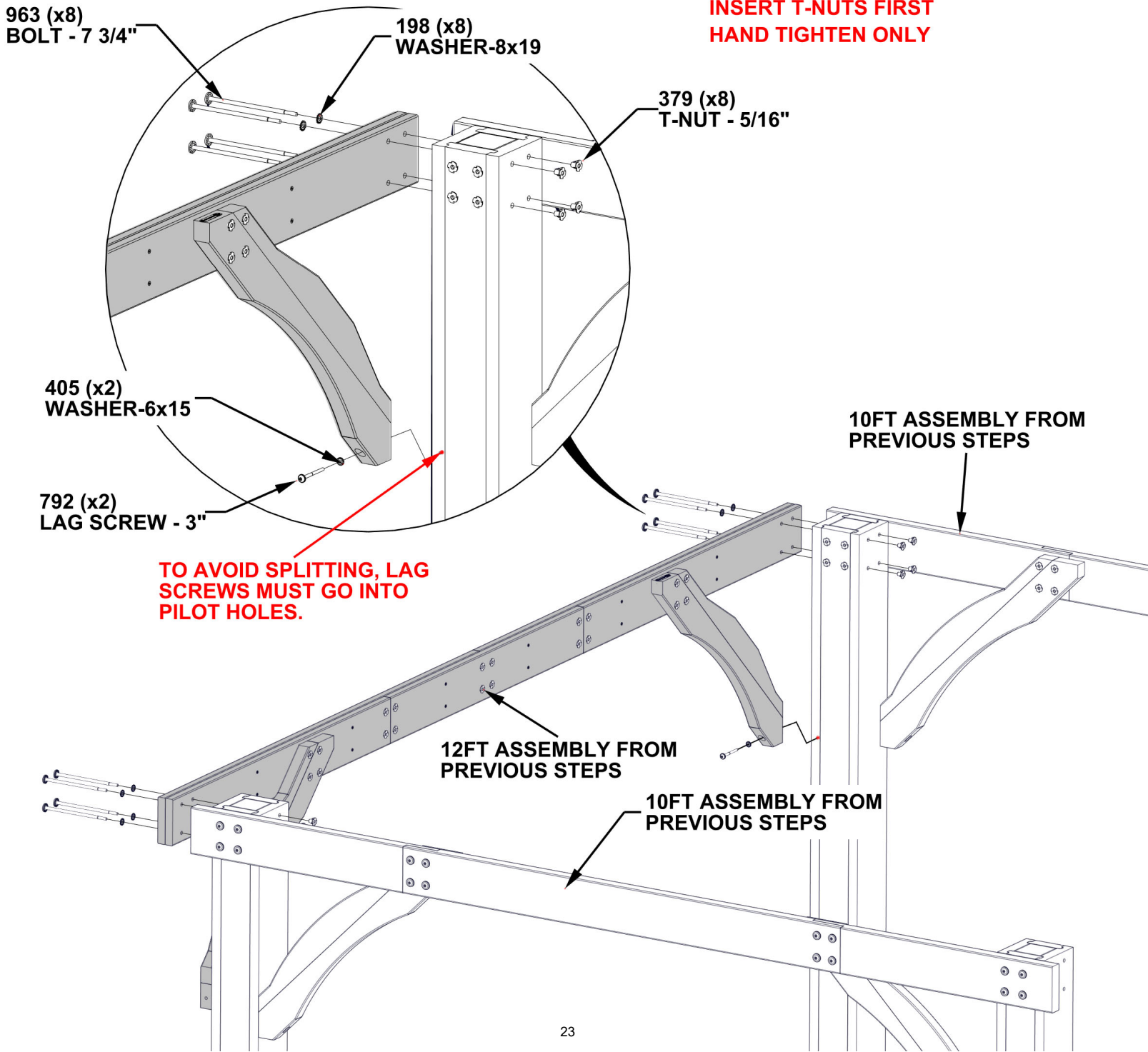
# STEP 7 - 12FT BEAM ASSEMBLY

Qty	PART NUMBER	DESCRIPTION
8	H100198	WASHER LOCK EXT 8X19 BLK
8	H100379	T-NUT 5/16 BLK
2	H100405	WASHER LOCK EXT 6X15 BLK
2	H100792	LAG SCREW WH 1/4x3 BLK
8	H100963	BOLT WH 5/16x7 3/4 BLK



**TIPS:**

- THREE PEOPLE ARE HELPFUL FOR THIS STEP.
- MOVE THE 10FT POST ASSEMBLIES TO THEIR FINAL LOCATION WITH SOMEONE HOLDING EACH ASSEMBLY UPRIGHT.
- USING A THIRD PERSON, CONNECT THE 12FT BEAM ASSEMBLY TO THE POSTS TO MAKE THE GAZEBO FRAME.

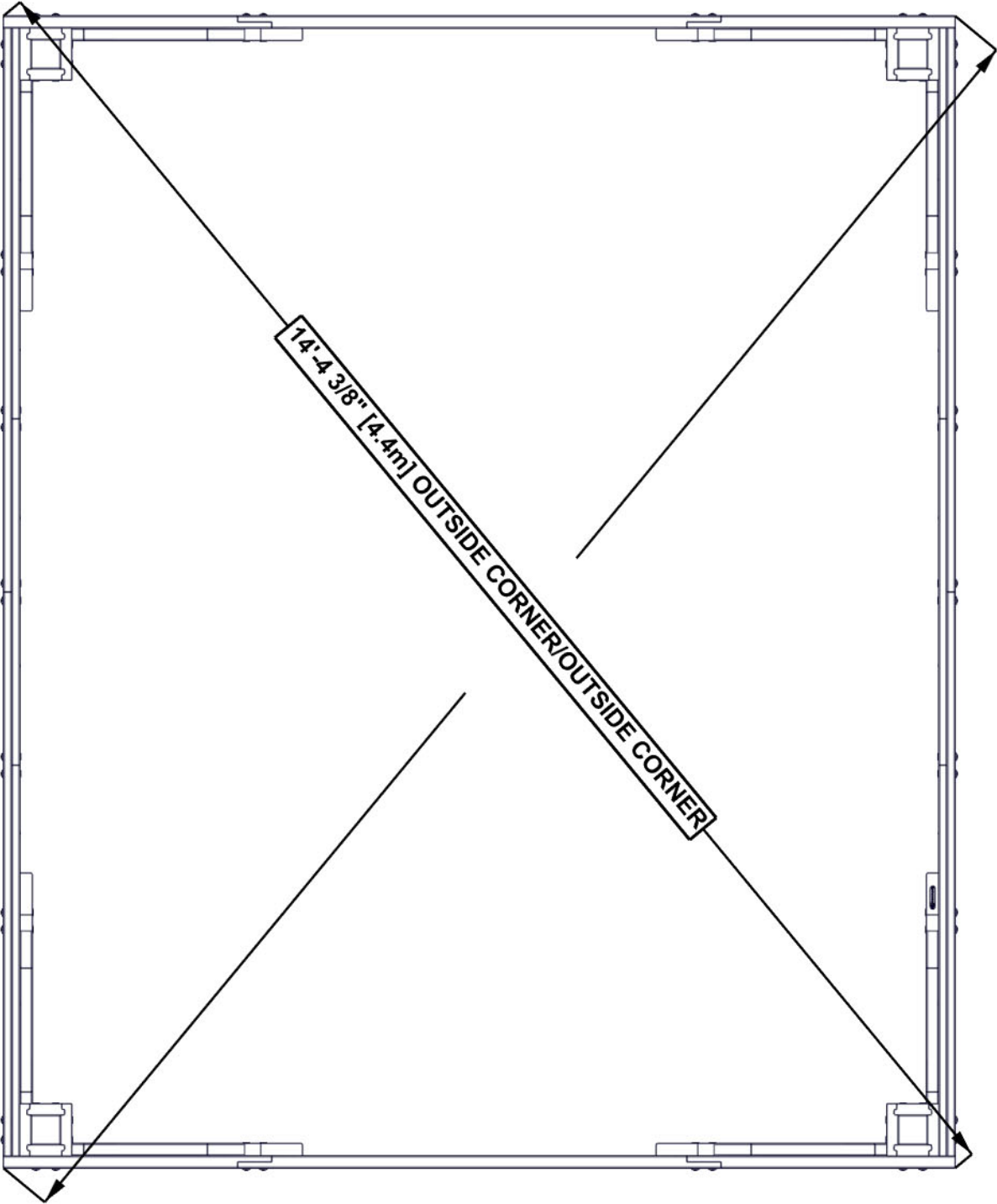


**REPEAT STEPS 4 THROUGH 7 FOR OPPOSITE  
12FT BEAM ASSEMBLY**



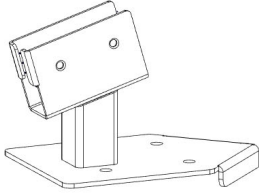
# STEP 8

**CRITICAL: SQUARE UNIT BEFORE PROCEEDING TO NEXT STEPS.  
ONCE SQUARE, TIGHTEN ALL HARDWARE**



TOP VIEW

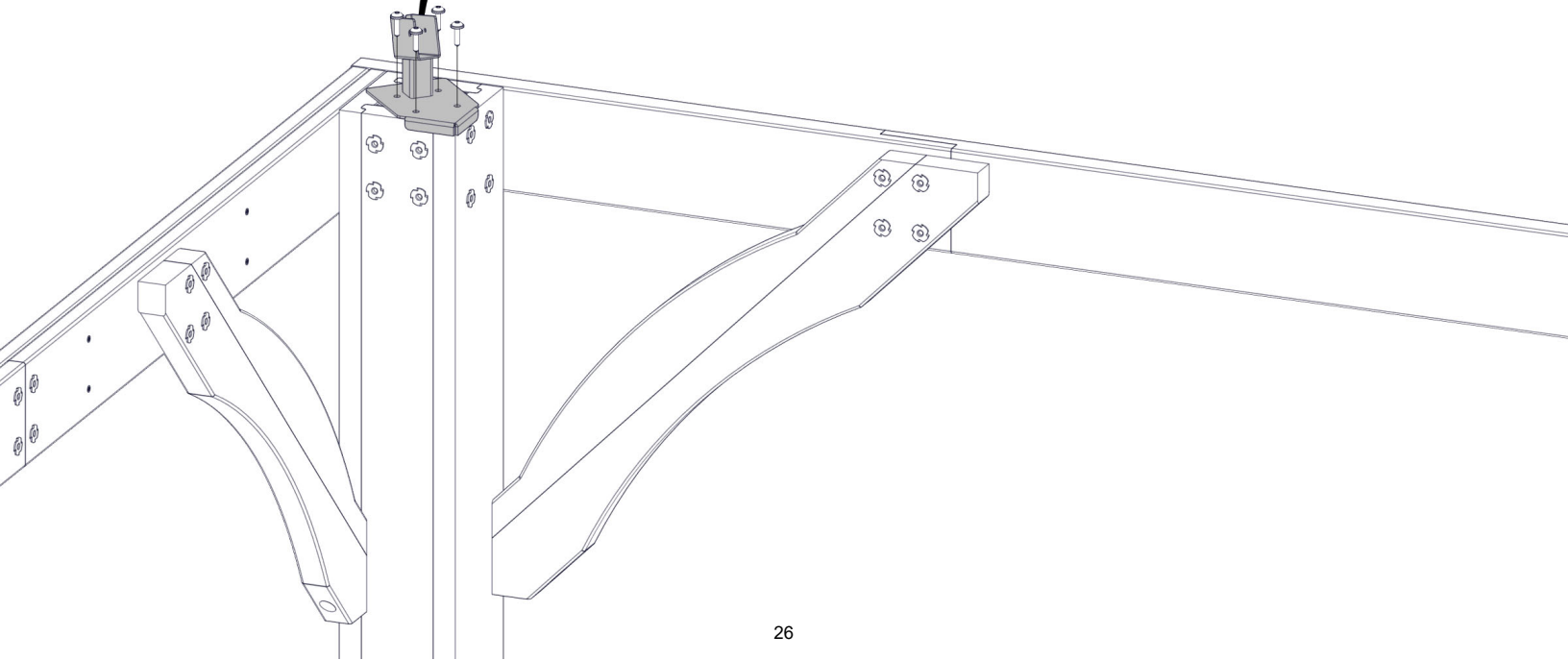
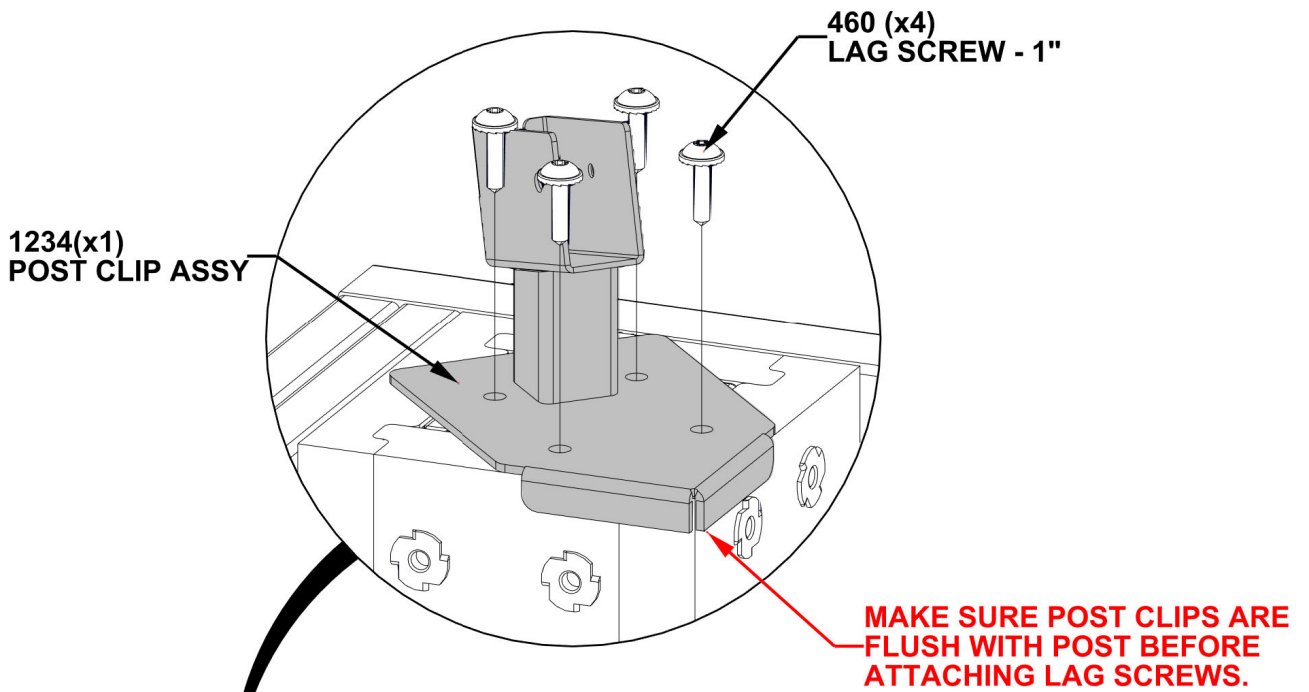
# STEP 9 - ROOF SUPPORT ASSEMBLY



Qty	PART NUMBER	DESCRIPTION
16	H100460	LAG SCREW WH 1/4x1 BLK

A4M01234 POST CLIP  
(x4)

**REPEAT ON ALL FOUR POSTS**  
**DO NOT OVERTIGHTEN**

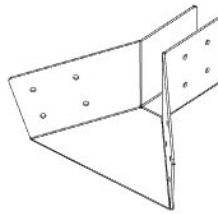


# STEP 10 - ROOF SUPPORT ASSEMBLY

Qty	PART NUMBER	DESCRIPTION
2	H100379	T-NUT 5/16 BLK
8	H100385	SCREW PFH 8x1 BLK

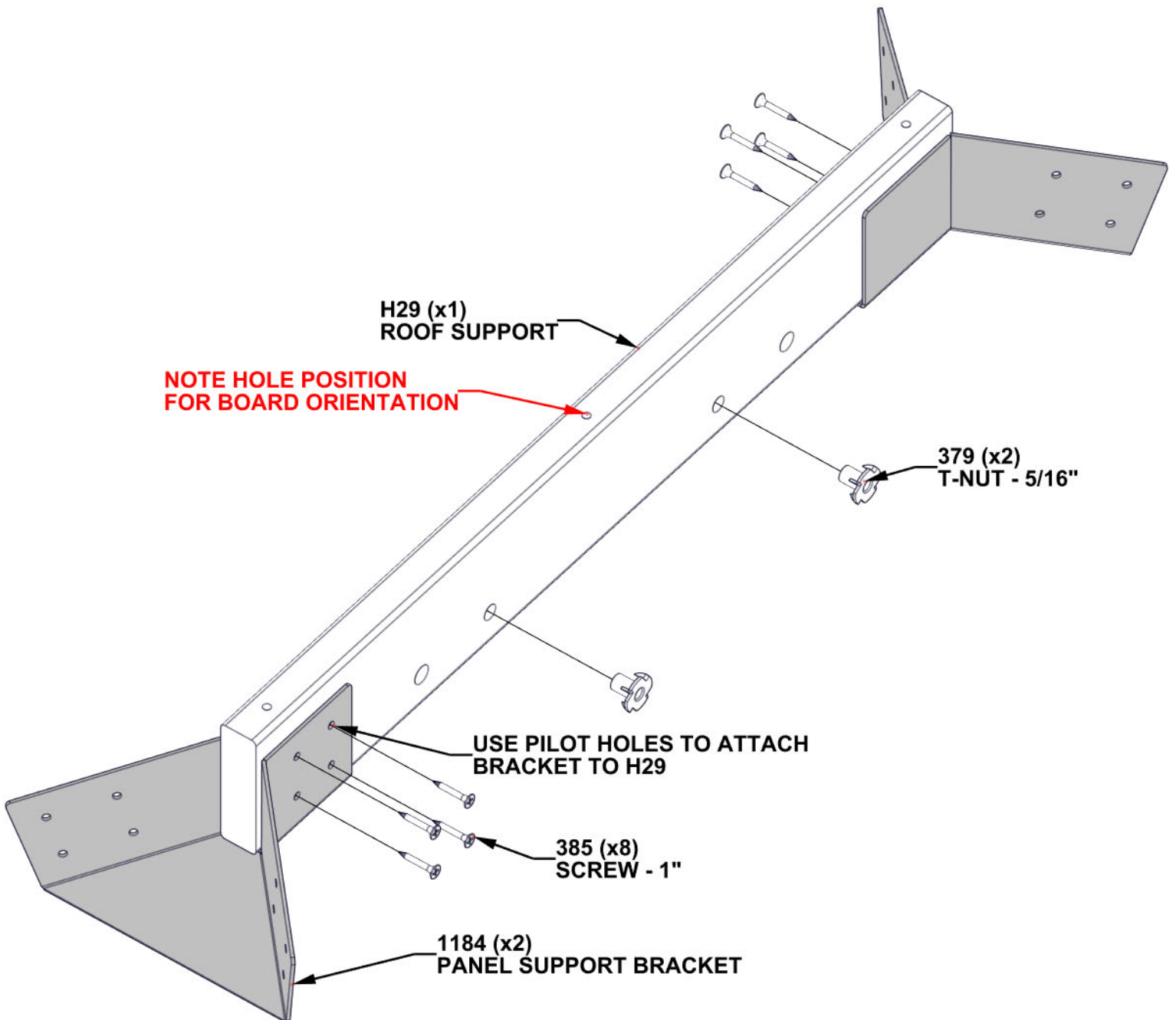


H29 ROOF SUPPORT - W4L15160  
(x1) 15/16"x3 3/8"x24" (24x86x610)



A4M01184 PANEL SUPPORT BRACKET  
(x2)

**INSERT T-NUTS FIRST**



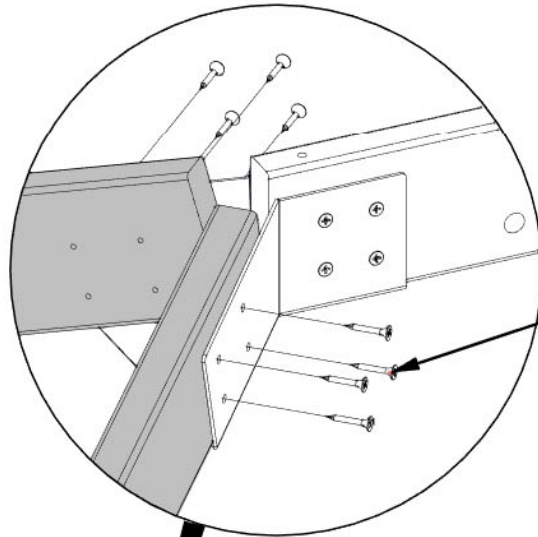
# STEP 11 - ROOF SUPPORT ASSEMBLY

Qty	PART NUMBER	DESCRIPTION
4	H100379	T-NUT 5/16 BLK
16	H100385	SCREW PFH 8x1 BLK



H01 ROOF SUPPORT - W4L16781  
 (x4) 15/16"x3 3/8"x75 3/16" (24x86x1909)

**INSERT T-NUTS FIRST**



385 (x16)  
SCREW - 1"

H01 (x1)  
ROOF SUPPORT

379 (x1)  
T-NUT - 5/16"

ROOF SUPPORT FROM  
PREVIOUS STEP

379 (x1)  
T-NUT - 5/16"

H01 (x1)  
ROOF SUPPORT

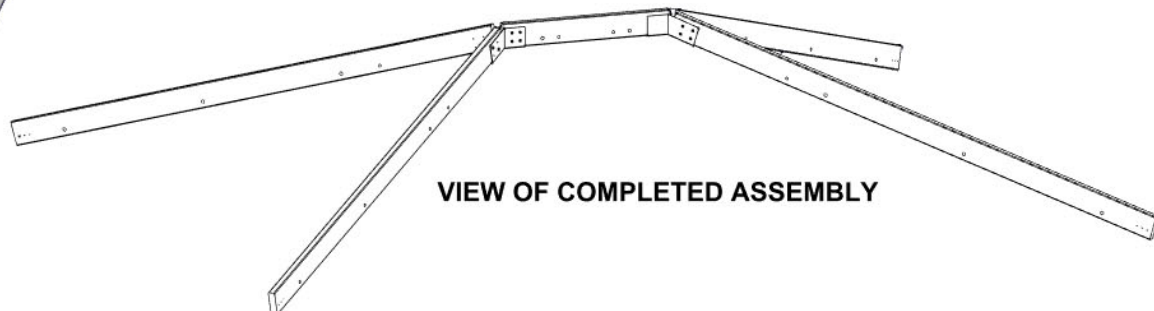
H01 (x1)  
ROOF SUPPORT

**NOTE HOLES FOR  
BOARD ORIENTATION**

H01 (x1)  
ROOF SUPPORT

379 (x1)  
T-NUT - 5/16"

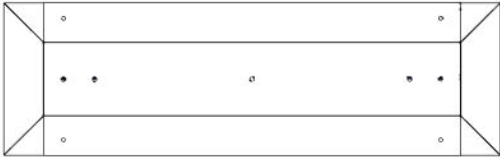
379 (x1)  
T-NUT - 5/16"



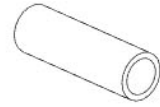
VIEW OF COMPLETED ASSEMBLY

# STEP 12 - ROOF SUPPORT ASSEMBLY

Qty	PART NUMBER	DESCRIPTION
3	H100792	LAG SCREW WH 1/4x3 BLK
3	H101034	WEATHER PROOFING WASHER



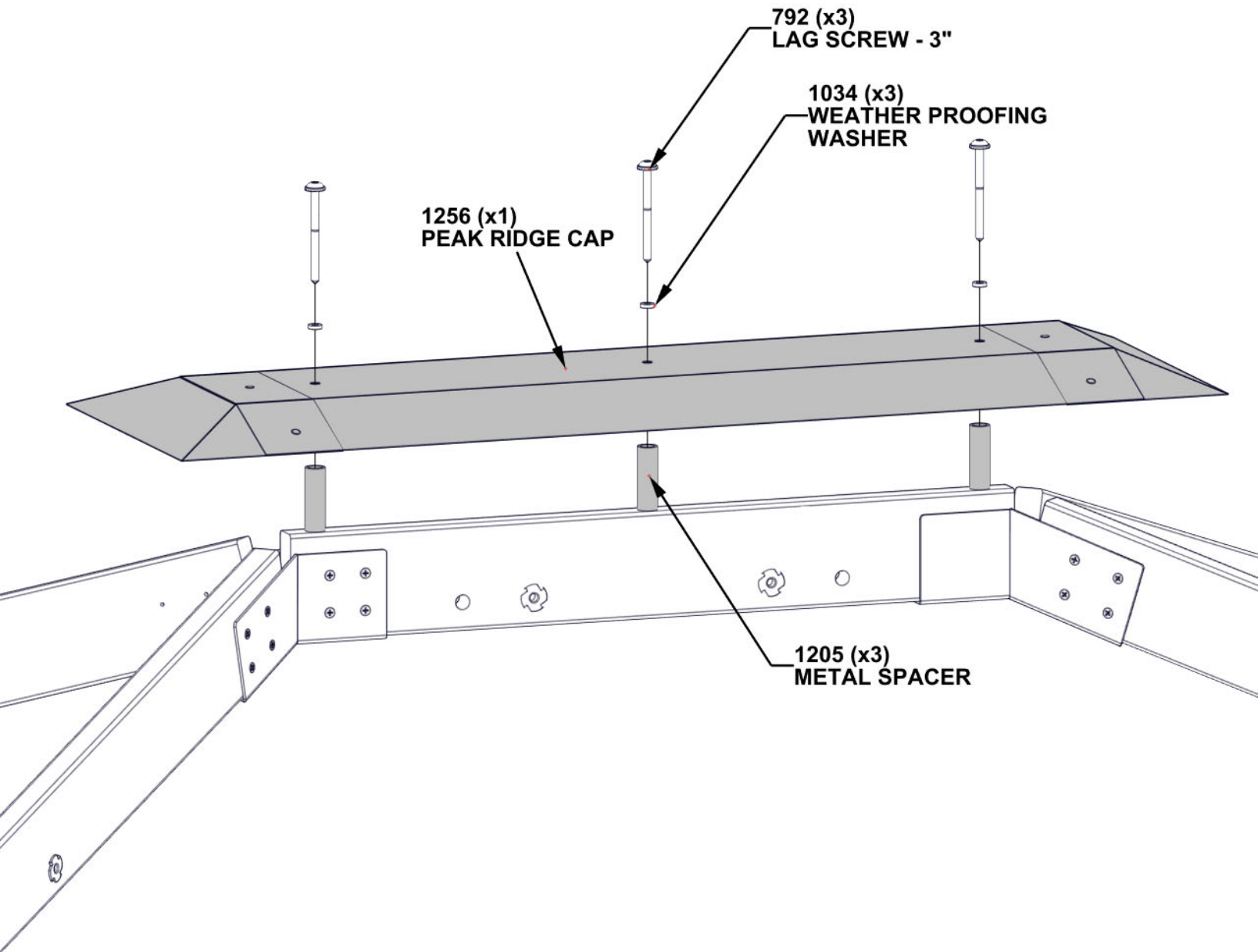
A4M01256 PEAK RIDGE CAP  
(x1)



A4M01205 METAL SPACER  
(x3)

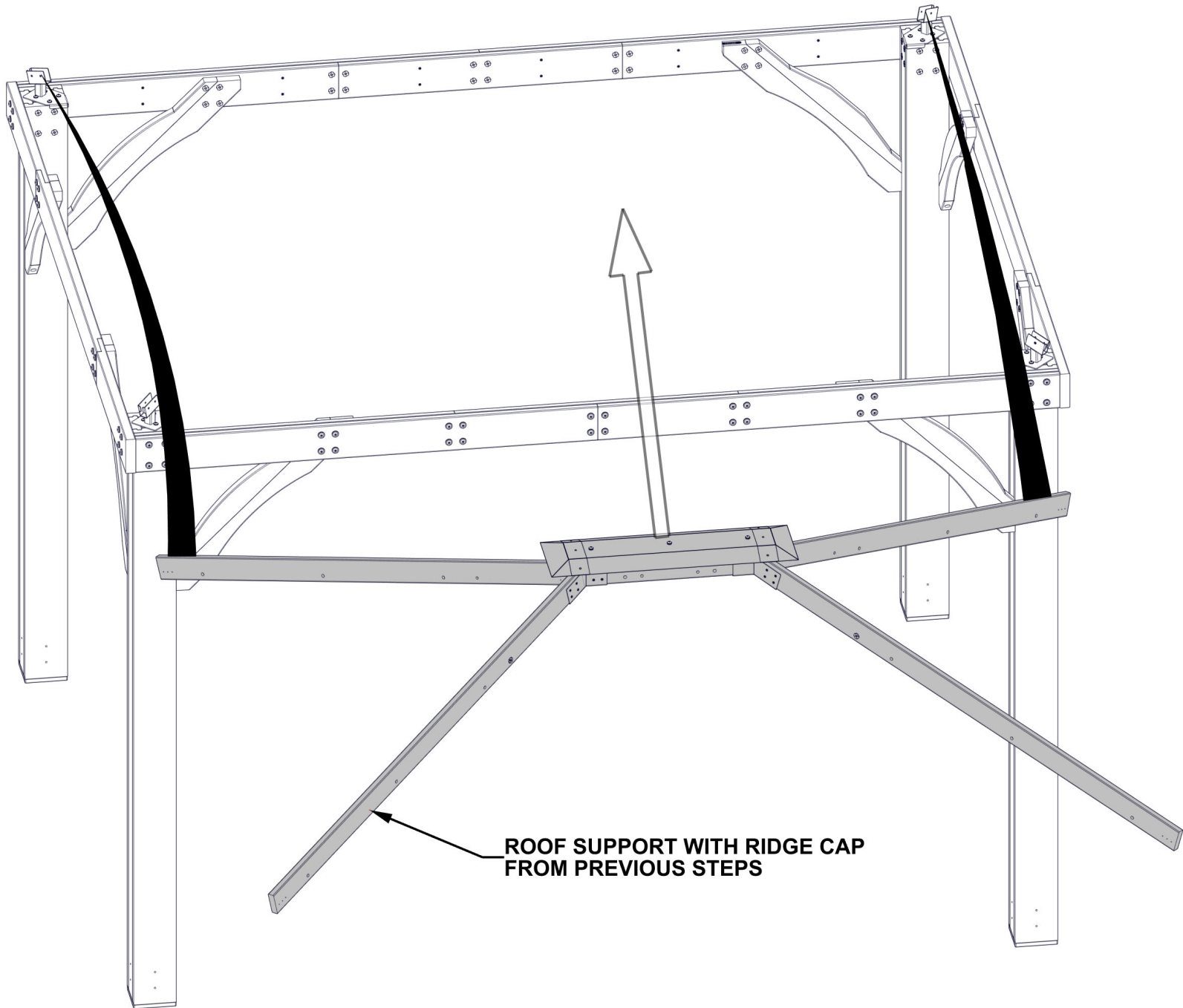
**TIPS:**  
 • REMOVE PROTECTIVE BLUE FILM BEFORE ASSEMBLY

**WARNING: GLOVES ARE RECOMMENDED WHEN HANDLING STEEL ROOF PIECES**



# STEP 13 SUPPORT ASSEMBLY

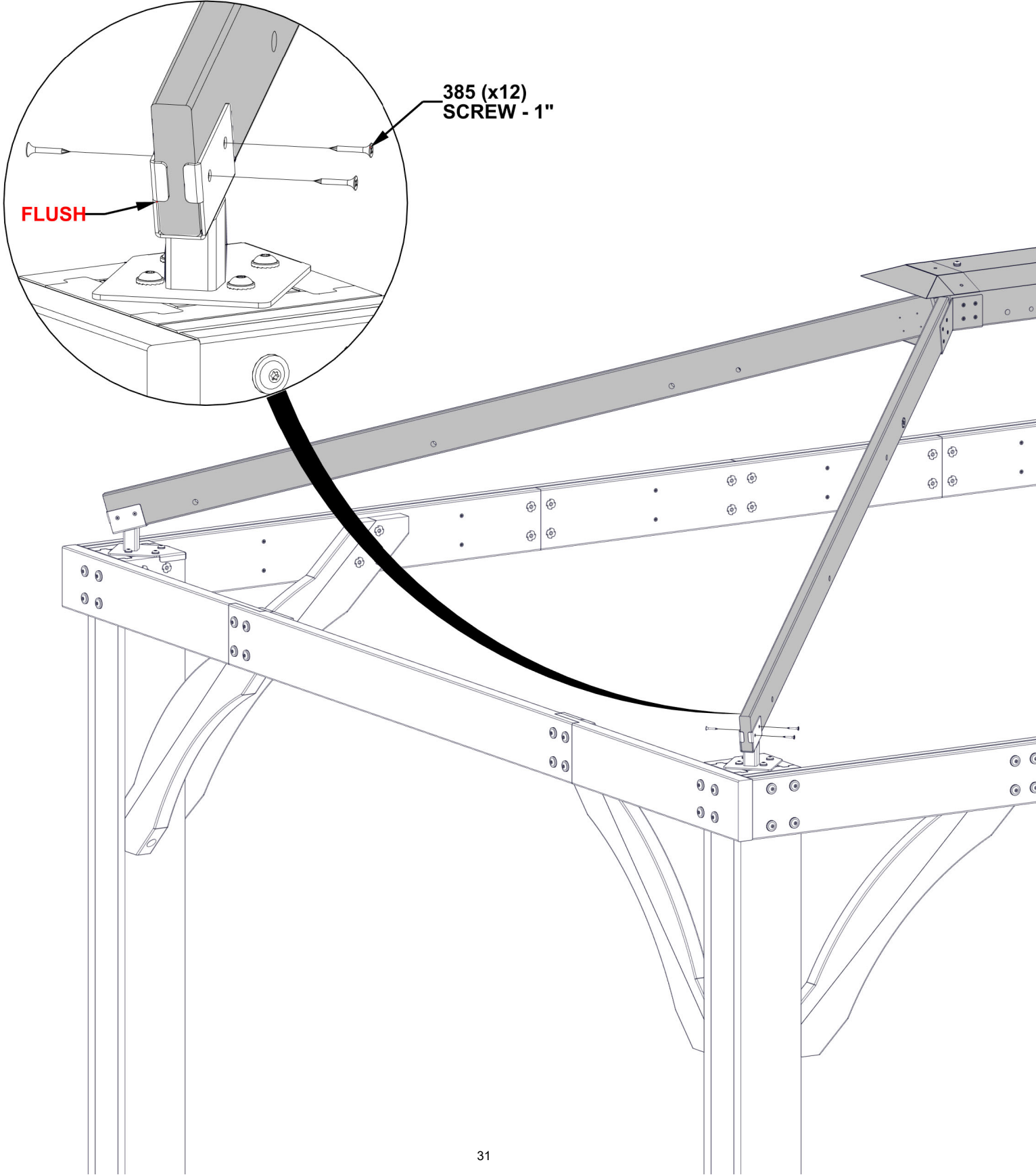
- THREE PEOPLE ARE HELPFUL FOR THIS STEP.
- POSITION A PERSON ON A LADDER IN THE CENTER OF THE BASE.
- LIFT ROOF SUPPORT UP AND OVER THE 12FT SIDE AND INSERT INTO CORNER POST CLIPS.



# STEP 14 ROOF SUPPORT ASSEMBLY

Qty	PART NUMBER	DESCRIPTION
12	H100385	SCREW PFH 8x1 BLK

REPEAT ON ALL POSTS

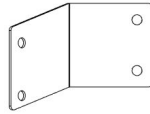


# STEP 15 - 12FT ROOF PANEL ASSEMBLY

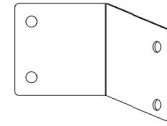
Qty	PART NUMBER	DESCRIPTION
4	H100171	BOLT WH 1/4x1 BLK
4	H100398	TNUT-1/4" BLK



H02 ROOF JOIST - W4L16782  
(x1) 15/16"x3 3/8"x25 9/16" (24x86x648)

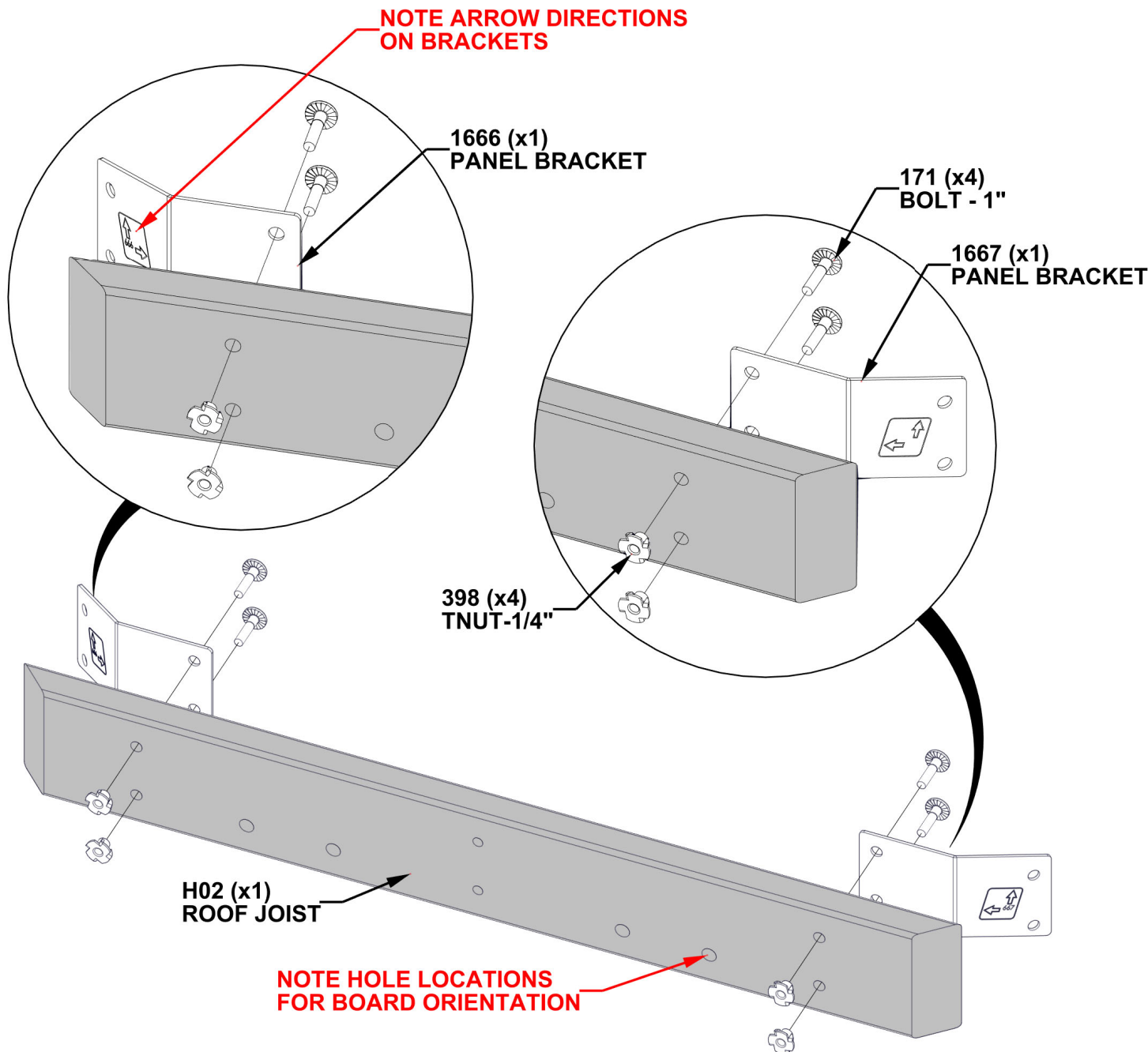


A4M01667 PANEL BRACKET  
(x1)



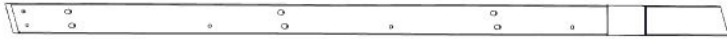
A4M01666 PANEL BRACKET  
(x1)

**INSERT T-NUTS FIRST  
HAND TIGHTEN ONLY**





# STEP 16 - 12FT ROOF PANEL ASSEMBLY

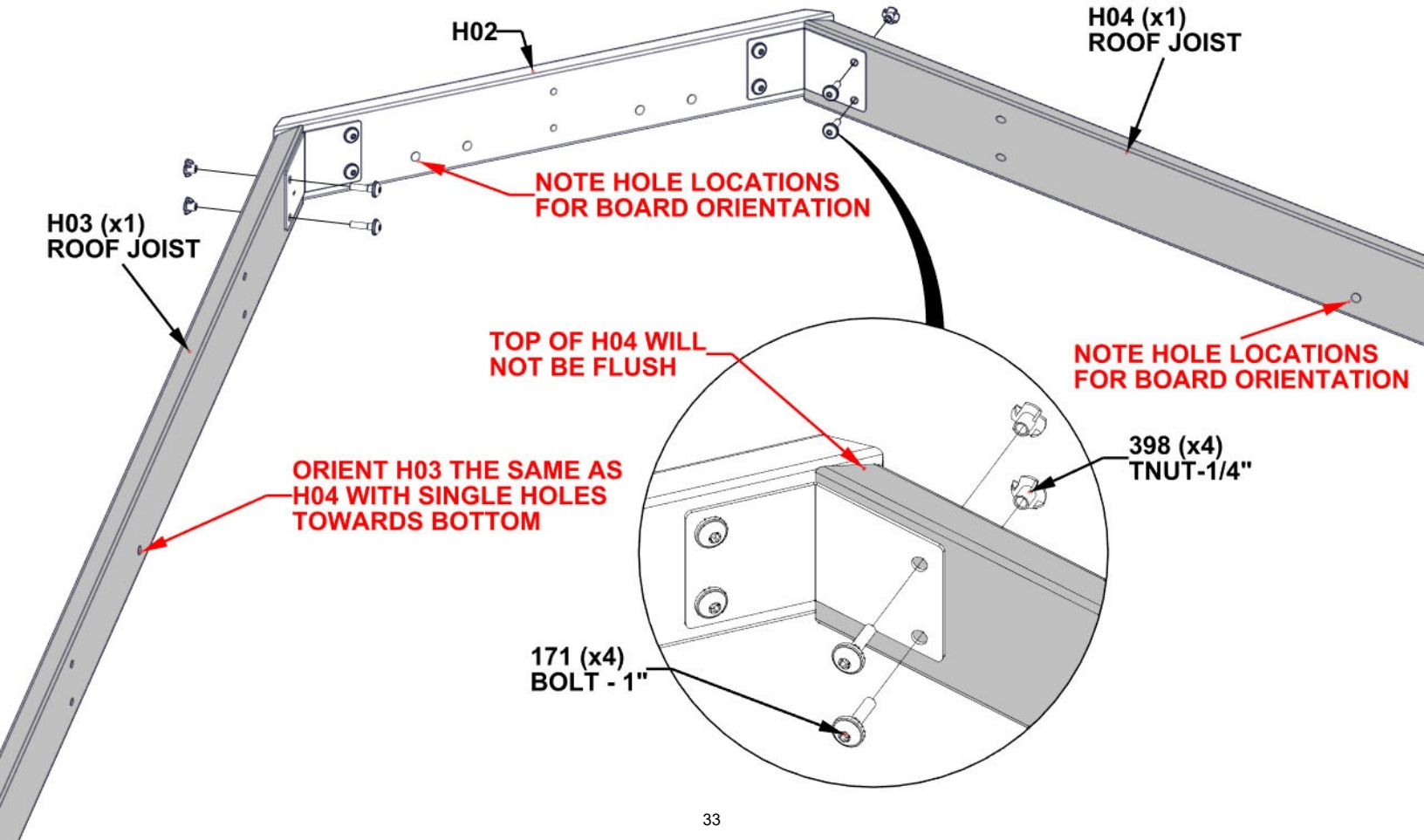
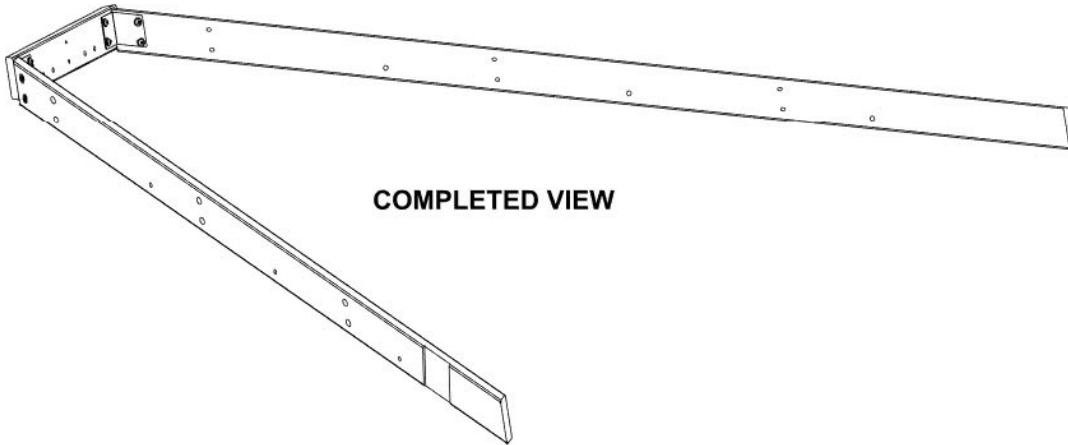


H03 ROOF JOIST - W4L16783  
(x1) 15/16"x3 3/8"x86 3/4" (24x86x2203)

Qty	PART NUMBER	DESCRIPTION
4	H100171	BOLT WH 1/4x1 BLK
4	H100398	TNUT-1/4" BLK



H04 ROOF JOIST - W4L16784  
(x1) 15/16"x3 3/8"x85 3/4" (24x86x2203)



# STEP 17A - 12FT ROOF PANEL ASSEMBLY

Qty	PART NUMBER	DESCRIPTION
6	H101030	SCREW CONFIRMAT 7x2 BLK



E03 RAFTER - W4L16788  
(x1) 1 7/16"x3 3/8"x58 1/8" (36x86x1477)

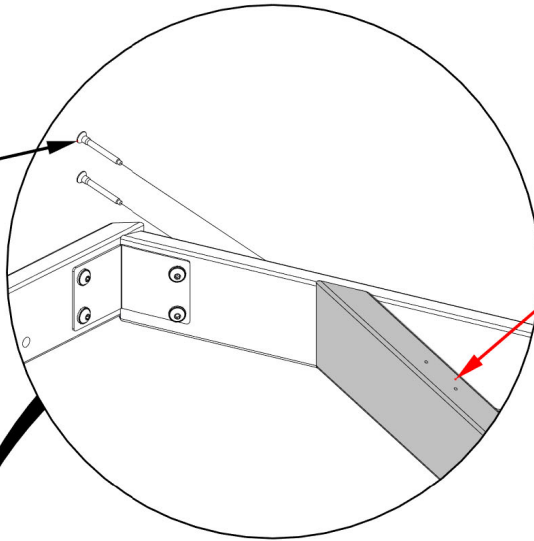


E05 RAFTER - W4L16790  
(x1) 1 7/16"x3 3/8"x58 1/8" (36x86x1477)



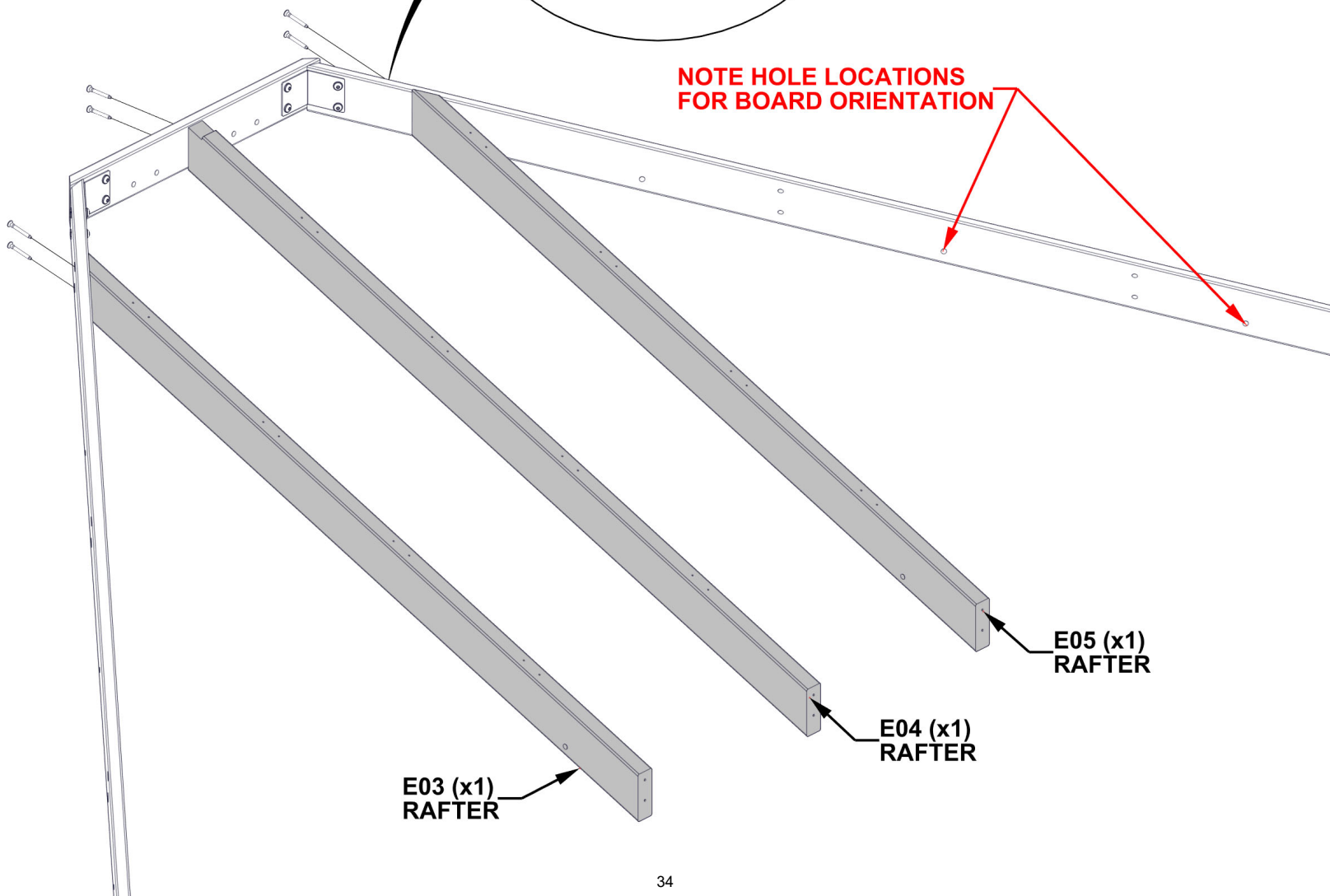
E04 RAFTER - W4L16789  
(x1) 1 7/16"x3 3/8"x63 11/16" (36x86x1617)

1030 (x6)  
CONFIRMAT SCREW - 2"



**NOTE PILOT HOLES ARE TO FACE UP ON ALL RAFTERS**

**NOTE HOLE LOCATIONS FOR BOARD ORIENTATION**



E05 (x1)  
RAFTER

E04 (x1)  
RAFTER

E03 (x1)  
RAFTER

# STEP 17B - 12FT ROOF PANEL ASSEMBLY

Qty	PART NUMBER	DESCRIPTION
8	H101030	SCREW CONFIRMAT 7x2 BLK

E01 RAFTER - W4L16786  
(x1) 1 7/16"x3 3/8"x20 13/16" (36x86x528)



E02 RAFTER - W4L16787  
(x1) 1 7/16"x3 3/8"x39 7/16" (36x86x1002)

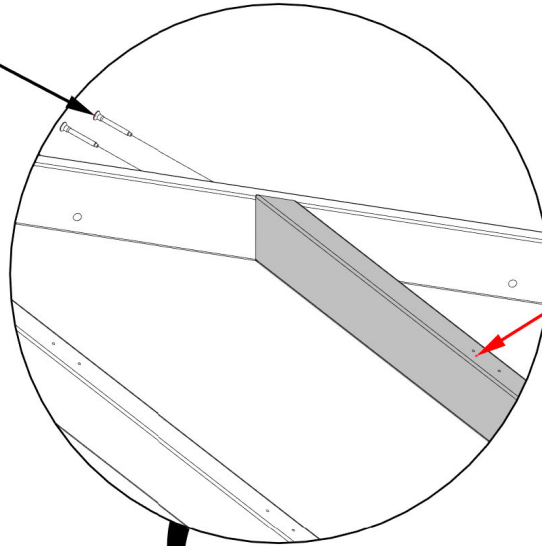
E06 RAFTER - W4L16791  
(x1) 1 7/16"x3 3/8"x39 7/16" (36x86x1002)



E07 RAFTER - W4L16792  
(x1) 1 7/16"x3 3/8"x20 13/16" (36x86x528)

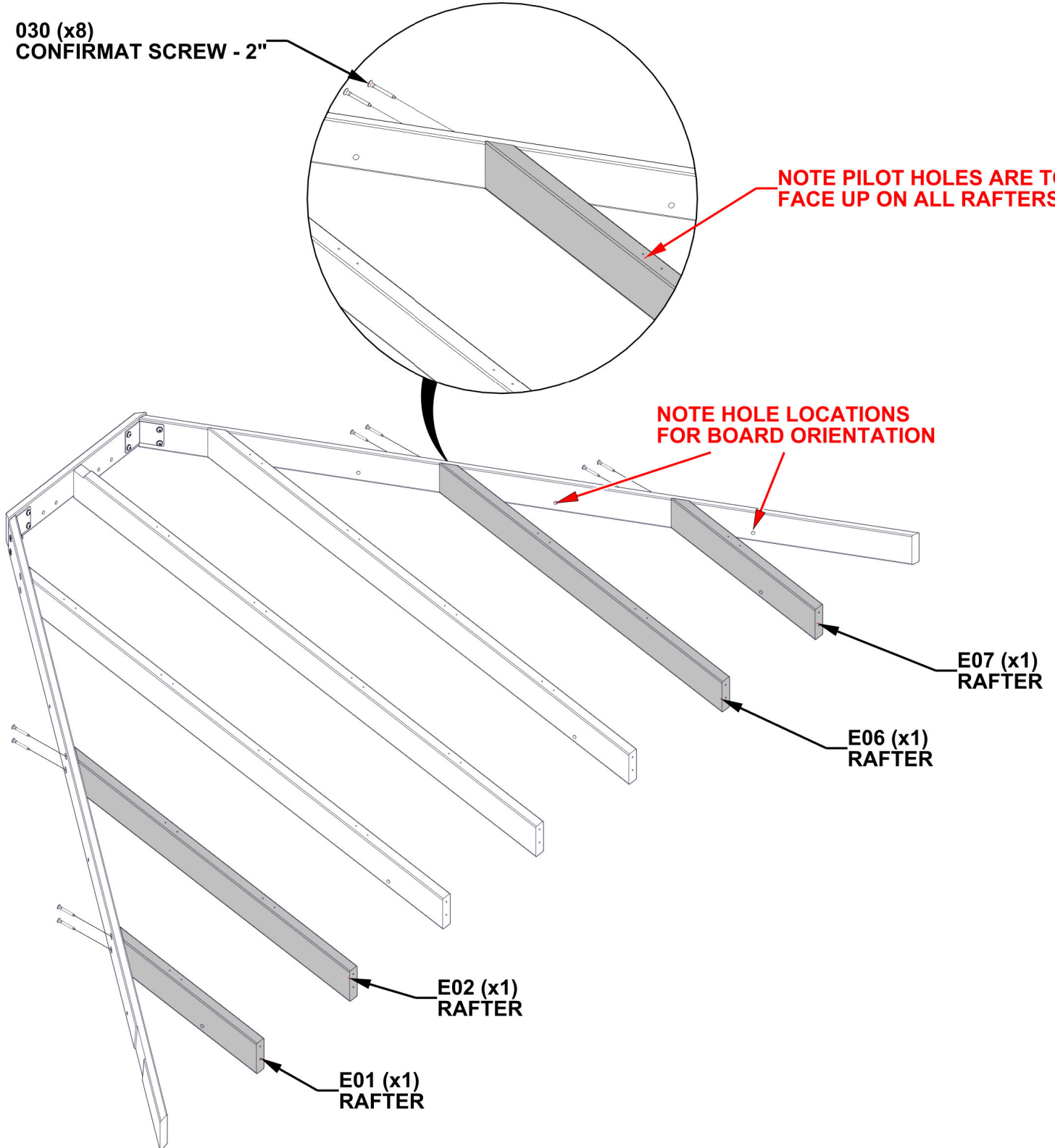


030 (x8)  
CONFIRMAT SCREW - 2"



**NOTE PILOT HOLES ARE TO FACE UP ON ALL RAFTERS**

**NOTE HOLE LOCATIONS FOR BOARD ORIENTATION**



E07 (x1)  
RAFTER

E06 (x1)  
RAFTER

E02 (x1)  
RAFTER

E01 (x1)  
RAFTER

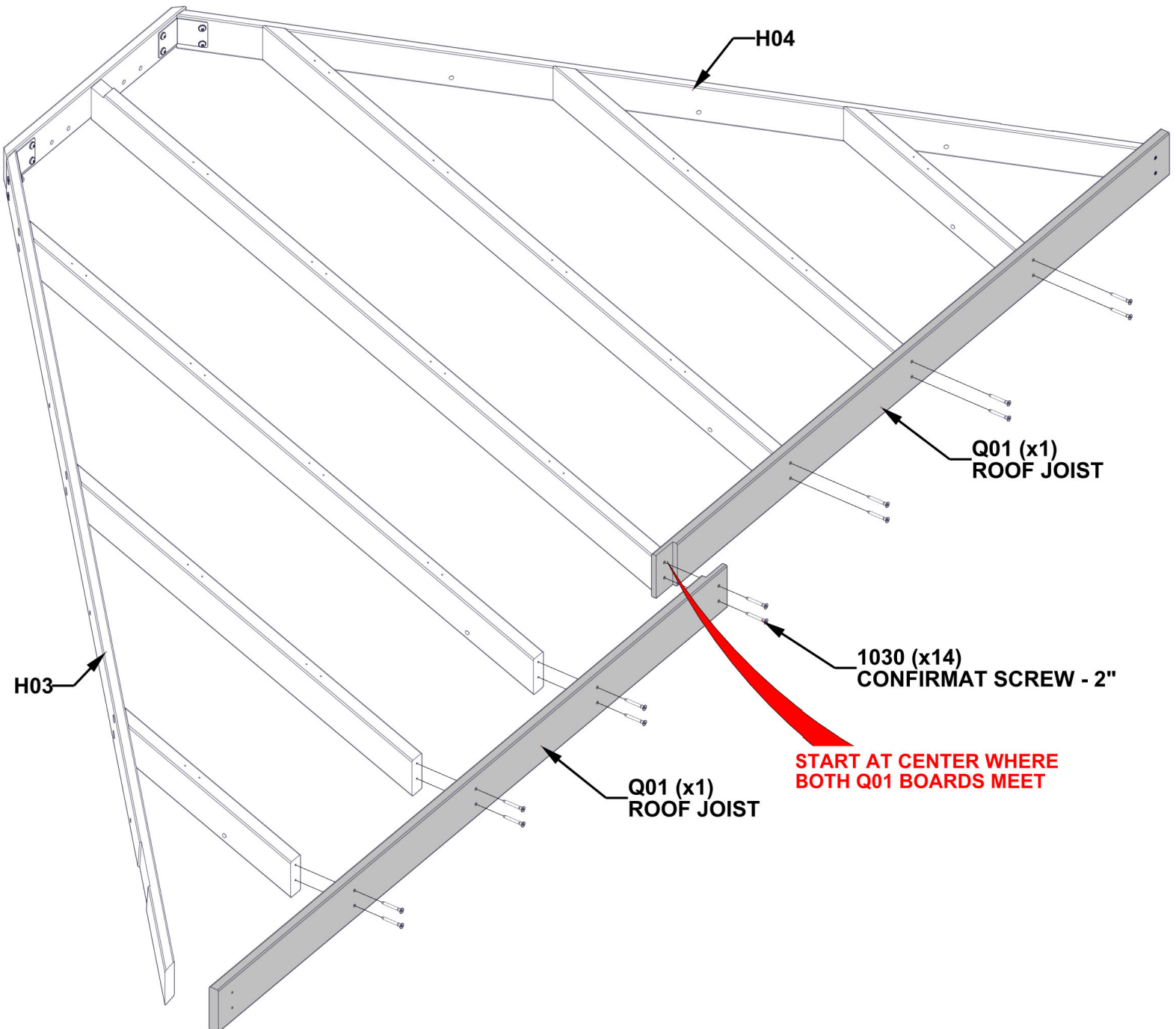
# STEP 18A - 12FT ROOF PANEL ASSEMBLY

Qty	PART NUMBER	DESCRIPTION
4	H100382	SCREW PFH 8x1 3/4 BLK
14	H101030	SCREW CONFIRMAT 7x2 BLK



Q01 ROOF JOIST - W4L16785  
 (x2) 15/16"4 7/16"72 1/4" (24x112x1835)

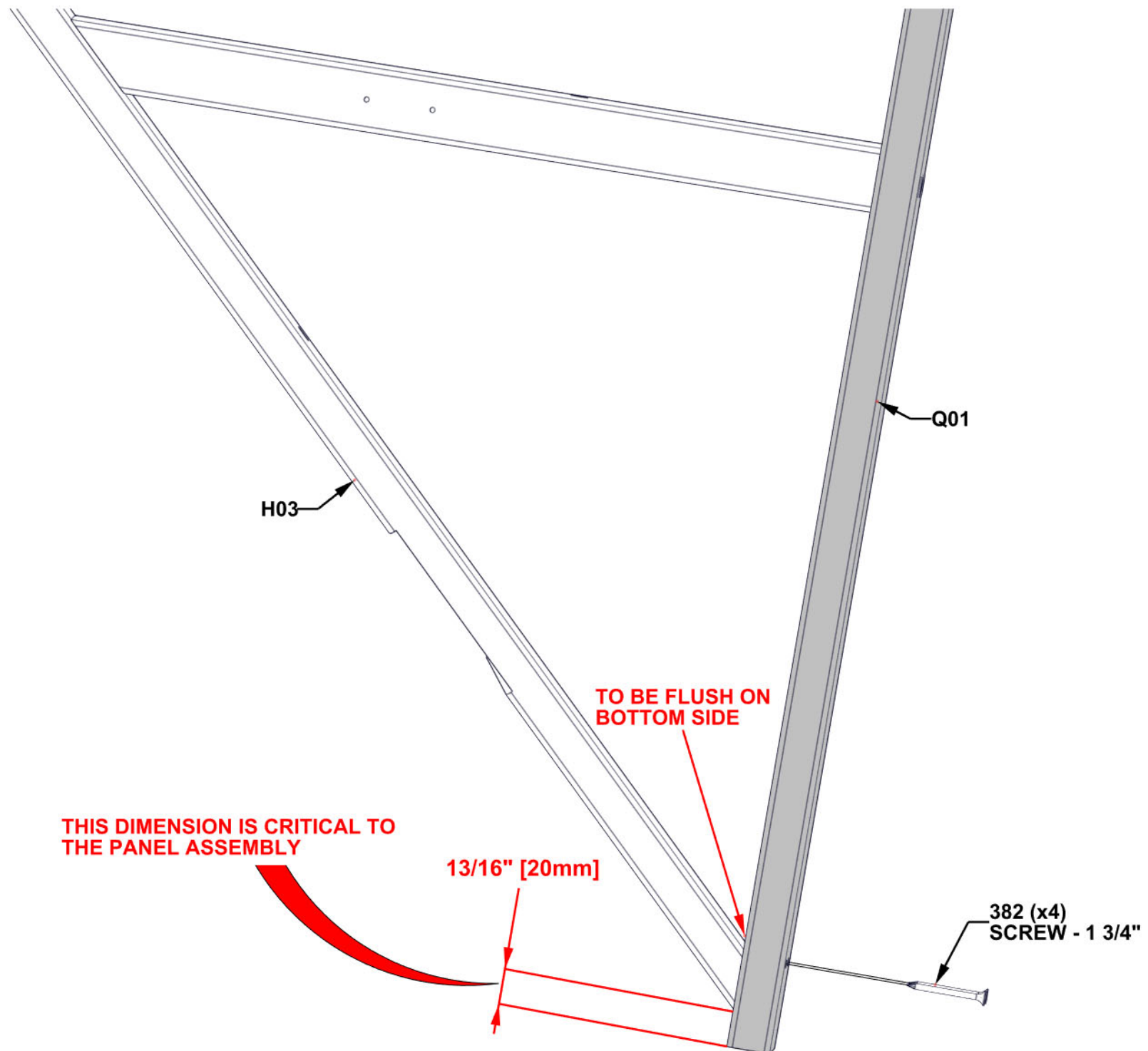
**TIP:**  
 • RAFTERS MAY NEED TO BE LOOSENED TO ATTACH Q01 TO H03/H04



# STEP 18B - 12FT ROOF PANEL ASSEMBLY

## TIPS:

- USING THE Q01 BOARD AS A GUIDE AND A 1/8" DRILL BIT, DRILL PILOT HOLES INTO THE H03 BOARDS USING THE DIMENSION BELOW.
- REPEAT ON OPPOSITE END WITH H04 BOARD.

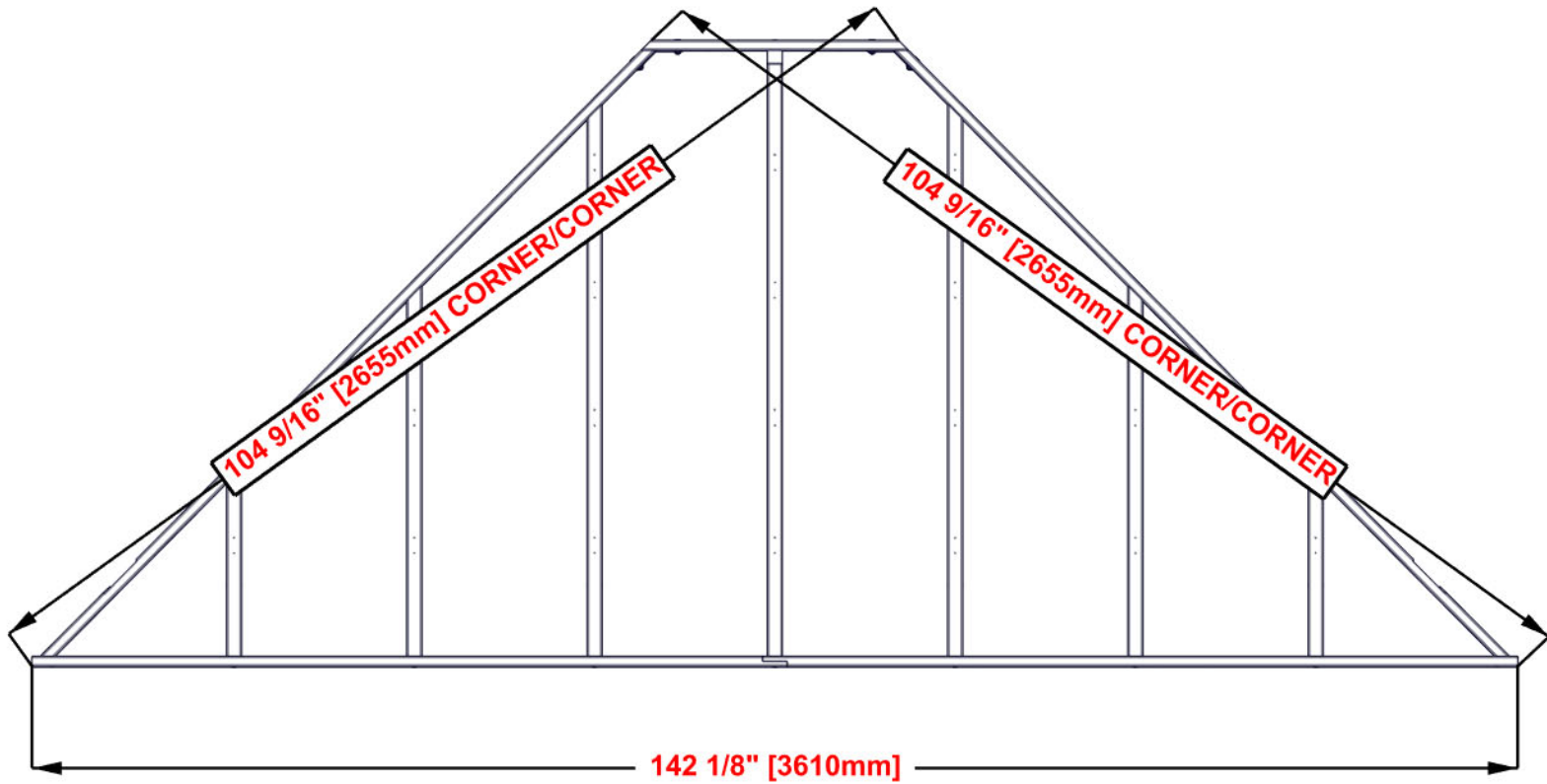


# STEP 18C - 12FT ROOF PANEL ASSEMBLY

- TIP:
- LOOSEN HARDWARE TO ADJUST FOR SQUARING IF NEEDED

**CRITICAL:**

- SQUARE UNIT BEFORE PROCEEDING TO NEXT STEPS.
- THE BELOW DIMENSIONS ARE CRITICAL TO THE FINAL ROOF ASSEMBLY.
- MEASUREMENTS SHOULD BE WITHIN +/- 1/4"
- MEASUREMENTS OUTSIDE OF TOLERANCE WILL LEAD TO THE INABILITY TO ASSEMBLE THE ROOF.
- TIGHTEN ALL HARDWARE.



# STEP 19A - 12FT ROOF PANEL ASSEMBLY

T01 PURLIN - W4L16799  
 (x1) 15/16"x1 5/16"x27 7/8" (24x34x708)

Qty	PART NUMBER	DESCRIPTION
22	H100391	SCREW PFH 8x2 BLK

H10 PURLIN - W4L16798  
 (x1) 15/16"x3 3/8"x51 1/8" (24x86x1299)

H09 PURLIN - W4L16797  
 (x1) 15/16"x3 3/8"x75 1/4" (24x86x1912)

## TIPS:

- ALIGN PURLIN PILOT HOLES WITH RAFTER PILOT HOLES.
- ATTACH SCREWS FROM THE CENTER AND WORK OUTWARDS.
- H03/H04 BOARDS DO NOT HAVE PILOT HOLES FOR OUTSIDE EDGE BOARDS.
- USING THE PURLINS AS A GUIDE AND A 1/8" DRILL BIT, DRILL PILOT HOLES INTO H03/H04 BOARDS.

**IF PURLINS OVERHANG MORE THAN 5/8", CUT DOWN TO 5/8"**

**NOTE T01 IS TO BE FLUSH & WILL NOT OVERHANG SIDES.**

OUTSIDE EDGE SCREWS

PURLIN

5/8"  
[16mm]

JOIST FROM PREVIOUS STEP

T01 (x1)  
PURLIN

391(x22)  
SCREW - 2"

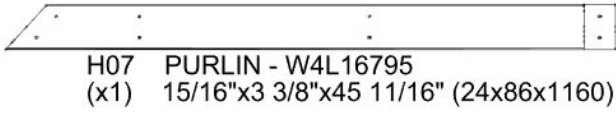
H10 (x1)  
PURLIN

H04

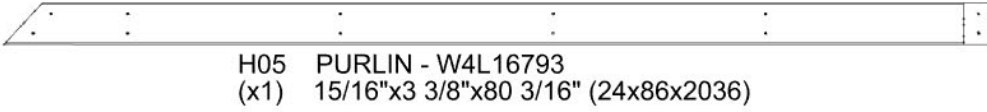
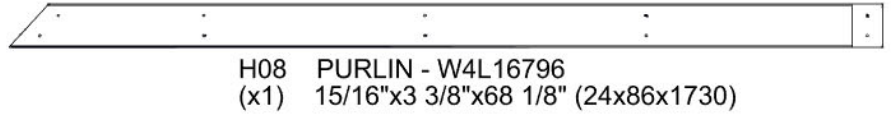
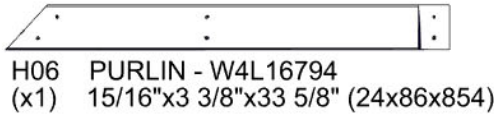
H09 (x1)  
PURLIN

H03

# STEP 19B - 12FT ROOF PANEL ASSEMBLY



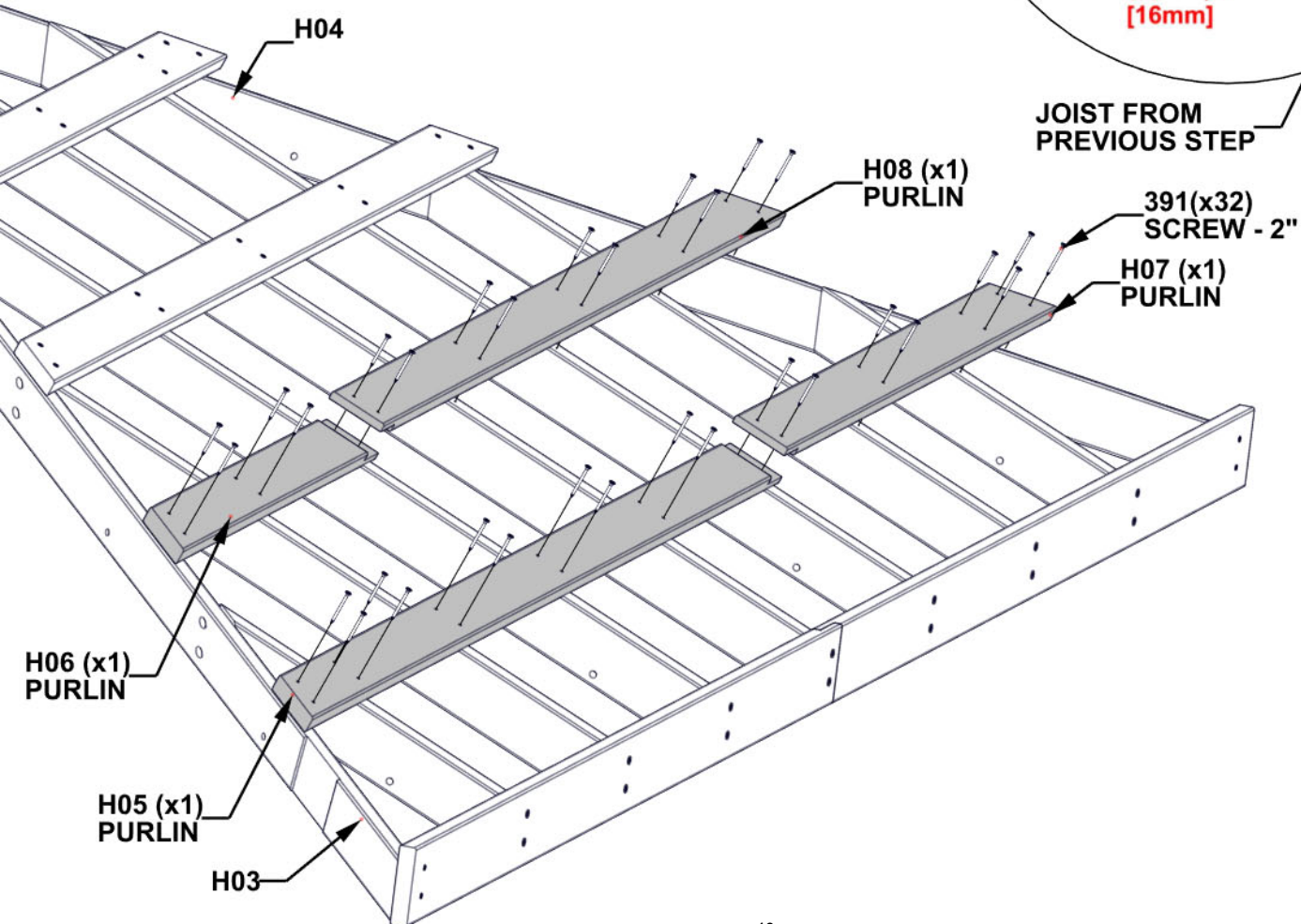
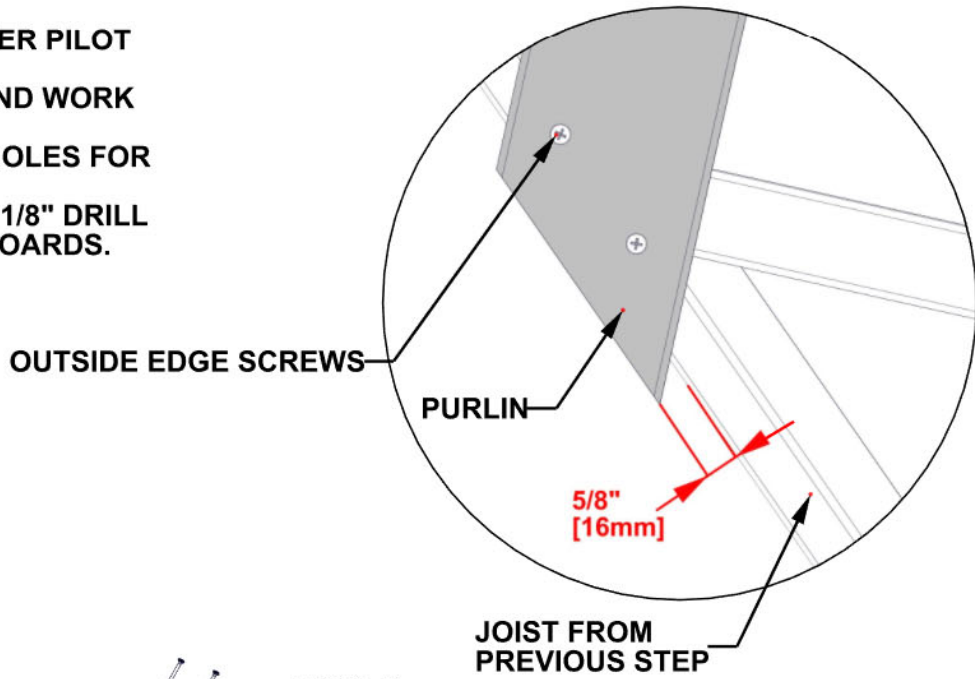
Qty	PART NUMBER	DESCRIPTION
32	H100391	SCREW PFH 8x2 BLK



## TIPS:

- ALIGN PURLIN PILOT HOLES WITH RAFTER PILOT HOLES.
- ATTACH SCREWS FROM THE CENTER AND WORK OUTWARDS.
- H03/H04 BOARDS DO NOT HAVE PILOT HOLES FOR OUTSIDE EDGE BOARDS.
- USING THE PURLINS AS A GUIDE AND A 1/8" DRILL BIT, DRILL PILOT HOLES INTO H03/H04 BOARDS.

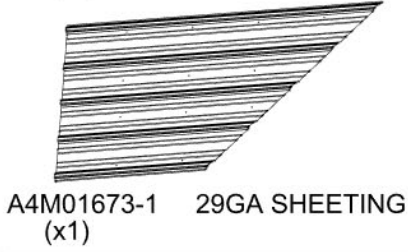
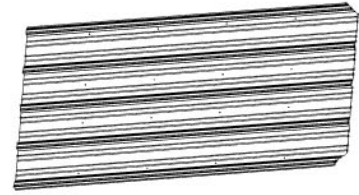
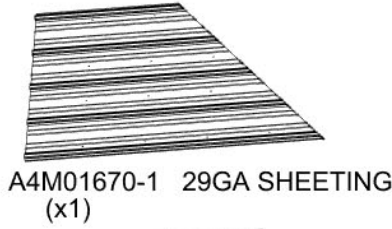
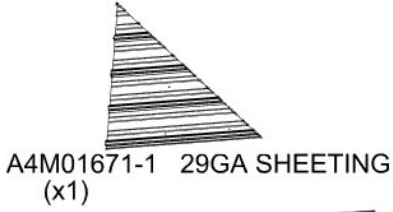
**IF PURLINS OVERHANG MORE THAN 5/8", CUT DOWN TO 5/8"**





# STEP 20 - 12FT ROOF PANEL ASSEMBLY

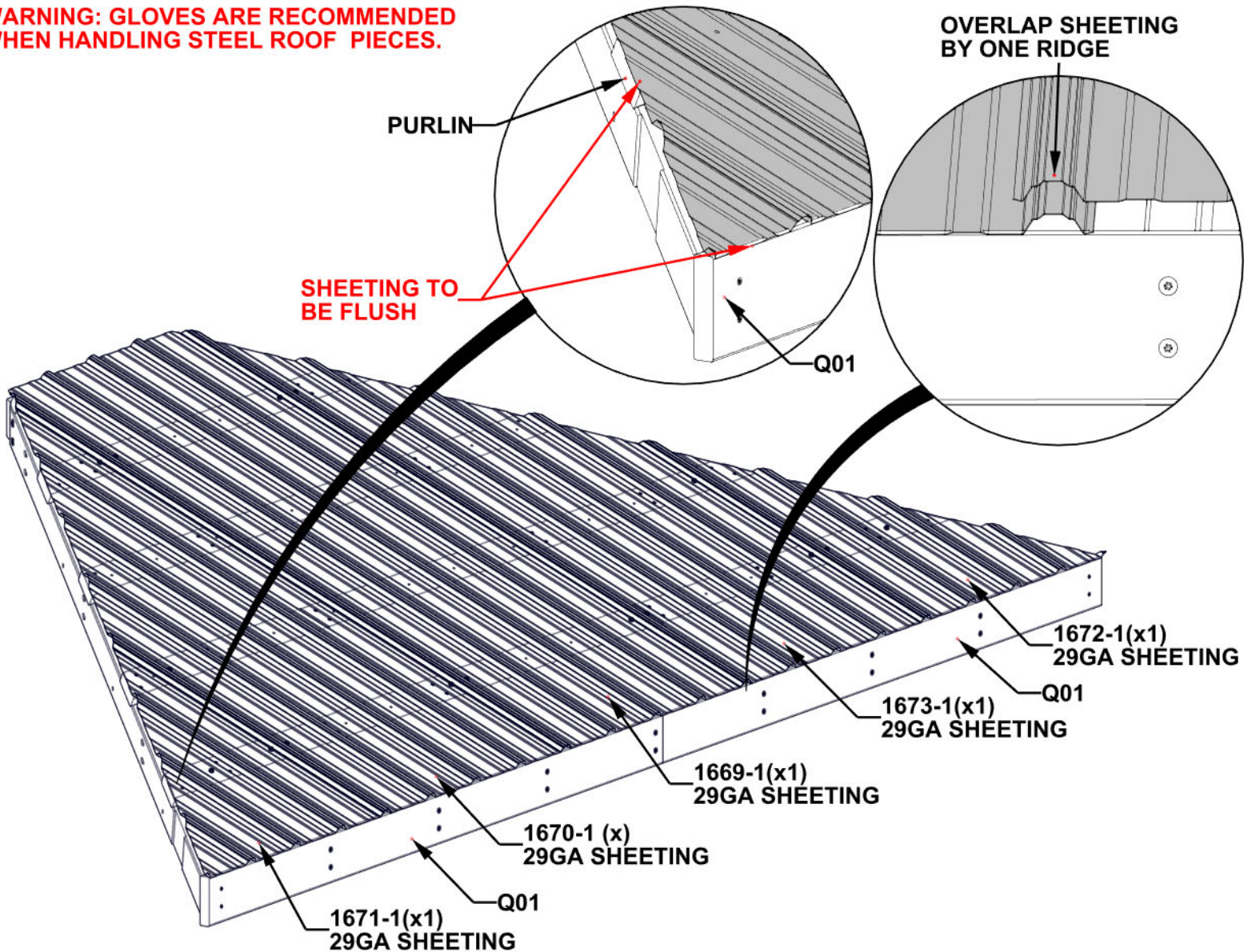
Qty	PART NUMBER	DESCRIPTION
16	H100833	SCREW WOODGRIP 10-16x3/4



## TIPS:

- REMOVE PROTECTIVE BLUE FILM
- STARTING IN THE CENTER, PLACE PANELS AS SHOWN BELOW.
- OVERLAP PANELS BY ONE RIDGE.
- PANELS SHOULD BE FLUSH WITH PURLIN ENDS AND Q01 ROOF JOIST.
- ONCE SHEETING IS IN PLACE, IT IS RECOMMENDED TO ADD H100833 SCREWS IN THE MIDDLE OF SHEETS TO HOLD SHEETING FOR THE NEXT STEP.

**WARNING: GLOVES ARE RECOMMENDED WHEN HANDLING STEEL ROOF PIECES.**



# STEP 21 - 12FT ROOF PANEL ASSEMBLY

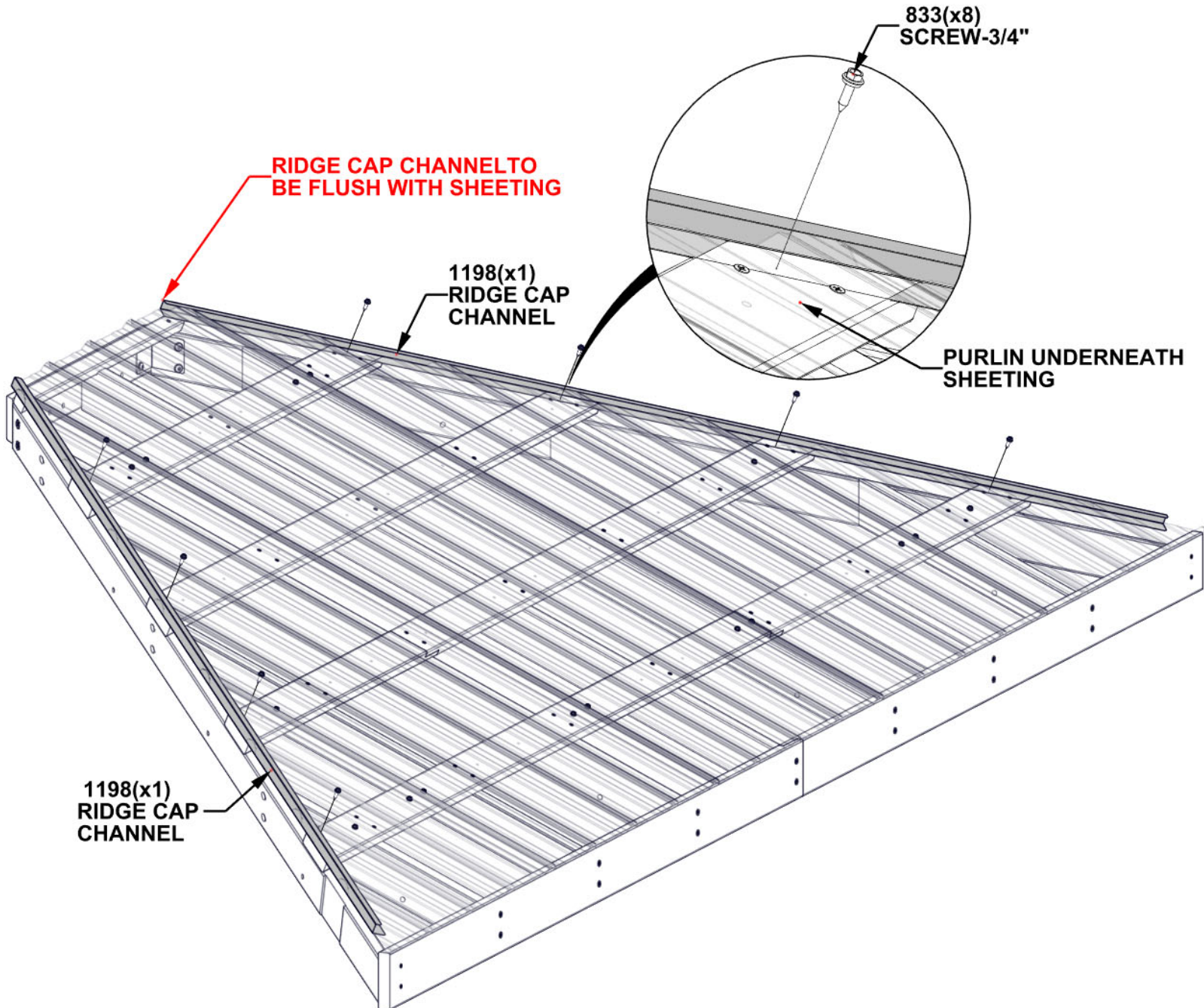
Qty	PART NUMBER	DESCRIPTION
8	H100833	SCREW WOODGRIP 10-16x3/4



A4M01198 RIDGE CAP CHANNEL  
(x2)

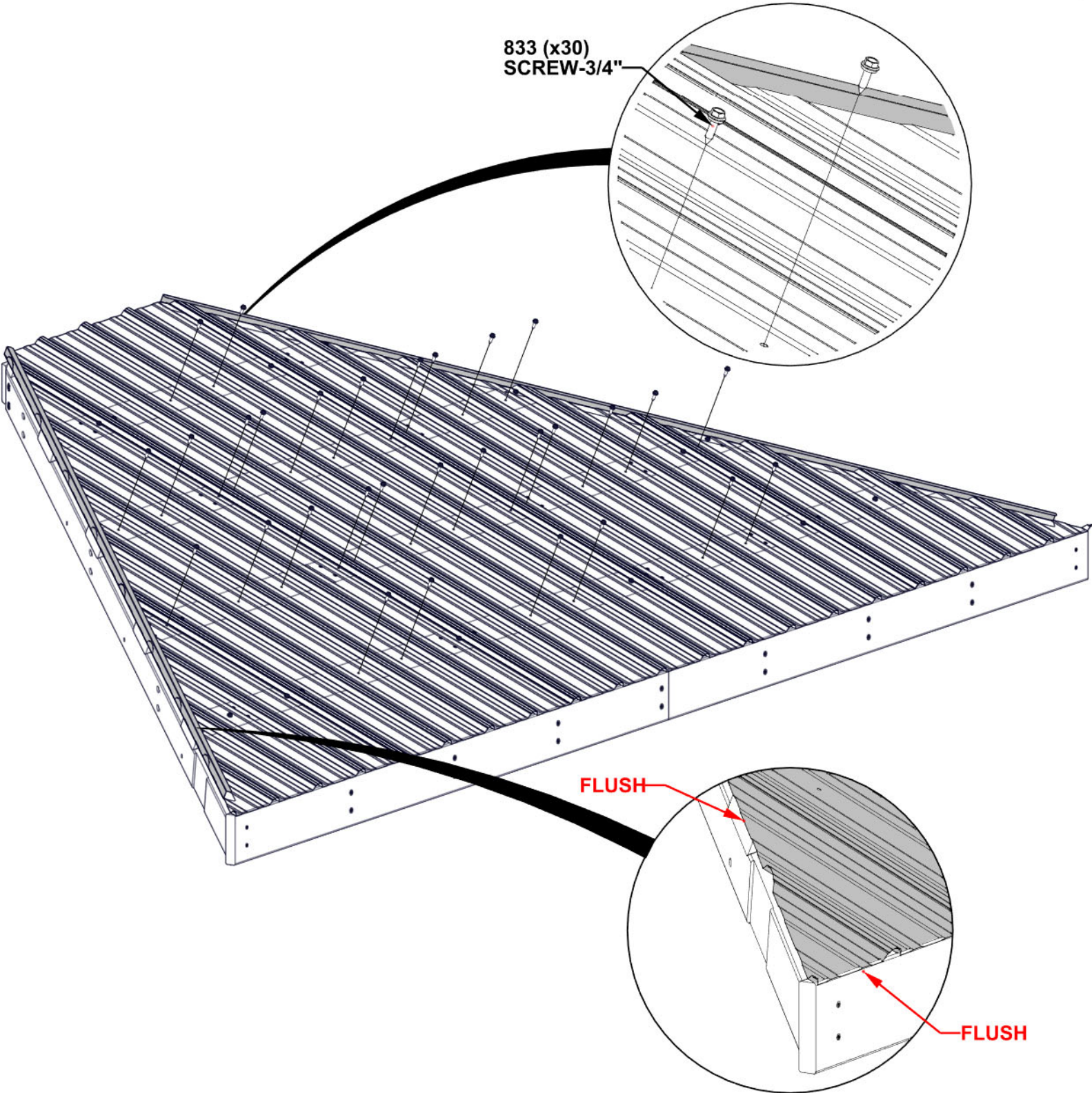
## TIPS:

- POSITION THE RIDGE CAP CHANNEL OVER THE EDGE OF THE ROOF PANELS WITH THE WIDER SIDE OF THE CHANNEL ON THE BOTTOM.
- MAKE SURE THE PANELS ARE FULLY SEATED INTO THE CHANNEL.
- FLUSH THE TOP OF THE CHANNEL WITH THE TOP OF THE METAL PANELS.



# STEP 22 - 12FT ROOF PANEL ASSEMBLY

Qty	PART NUMBER	DESCRIPTION
30	H100833	SCREW WOODGRIP 10-16x3/4



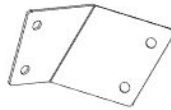
**REPEAT 12FT ROOF PANEL  
ASSEMBLY STEPS 15 THROUGH 22**

# STEP 23 - 10FT ROOF PANEL ASSEMBLY

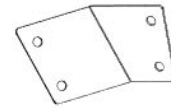
Qty	PART NUMBER	DESCRIPTION
4	H100171	BOLT WH 1/4x1 BLK
4	H100398	TNUT-1/4" BLK



H11 ROOF JOIST - W4L16801  
(x1) 15/16"x3 3/8"x12 15/16" (24x86x328)

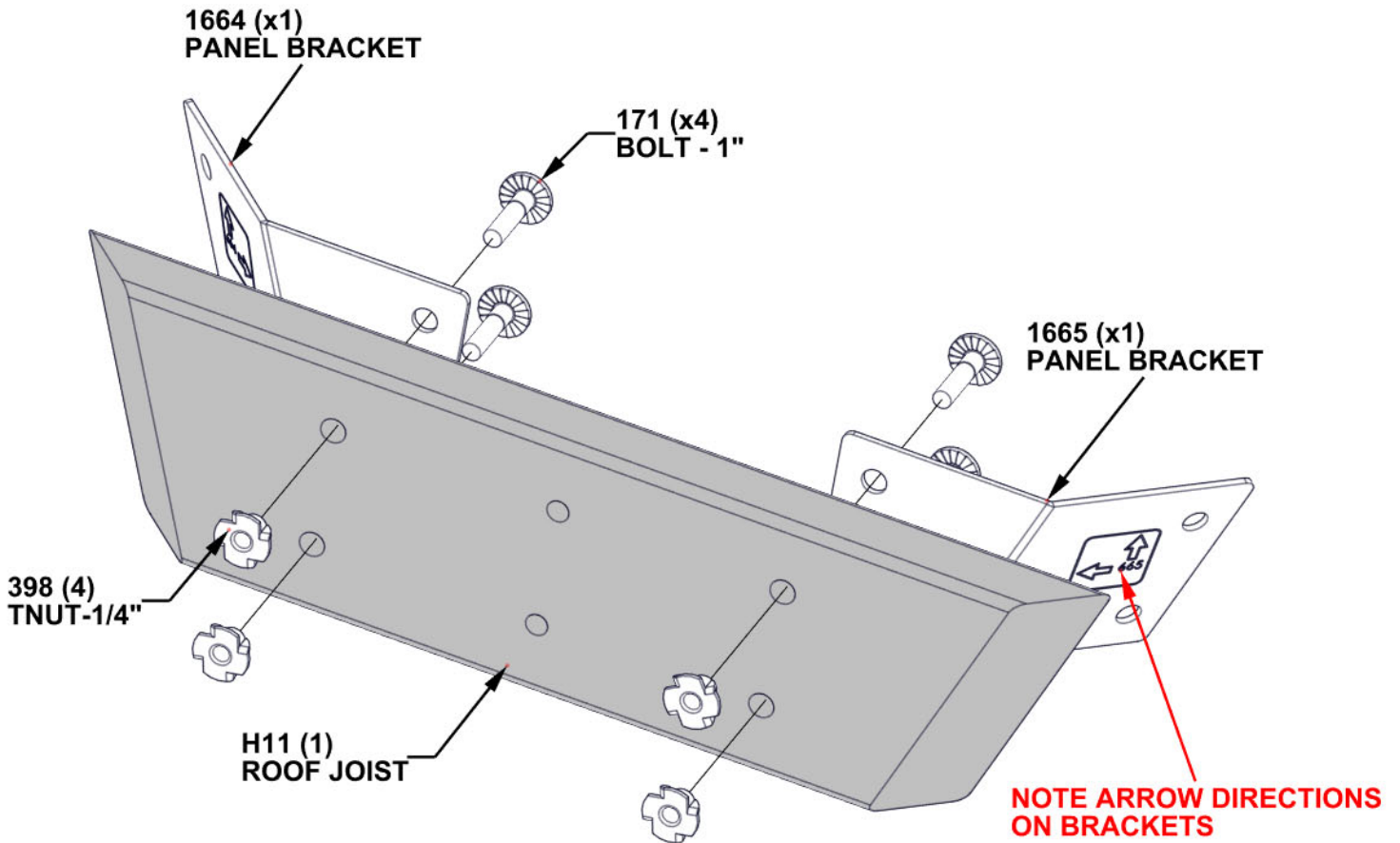


A4M01664 PANEL BRACKET  
(x1)



A4M01665 PANEL BRACKET  
(x1)

**INSERT T-NUTS FIRST  
HAND TIGHTEN ONLY**



# STEP 24 - 10FT ROOF PANEL ASSEMBLY

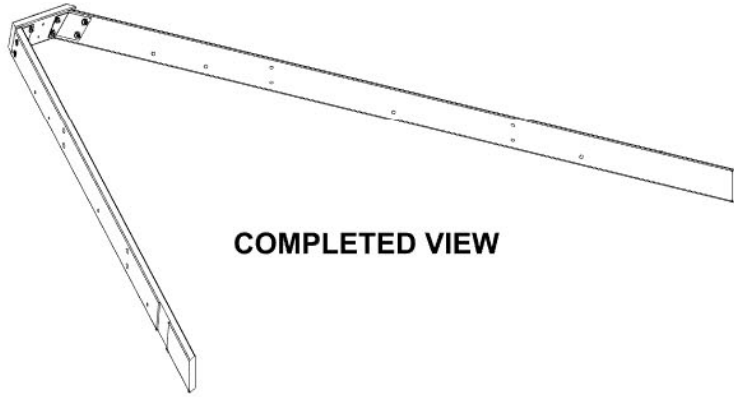
Qty	PART NUMBER	DESCRIPTION
4	H100171	BOLT WH 1/4x1 BLK
4	H100398	TNUT-1/4" BLK



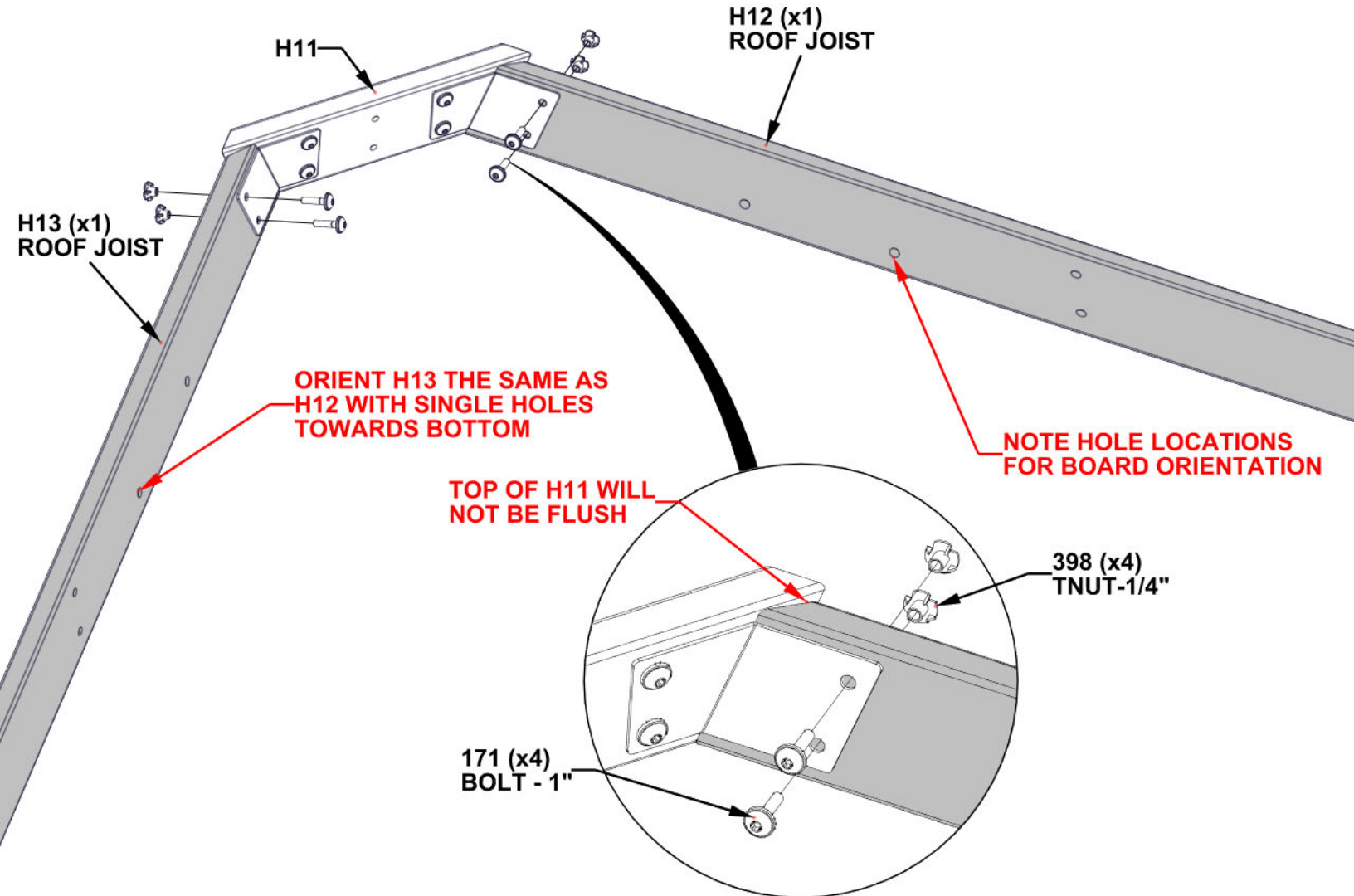
H12 ROOF JOIST - W4L16802  
(x1) 15/16"x3 3/8"x79 1/4" (24x86x2013)



H13 ROOF JOIST - W4L16803  
(x1) 15/16"x3 3/8"x79 1/4" (24x86x2013)



COMPLETED VIEW



# STEP 25 - 10FT ROOF PANEL ASSEMBLY

Qty	PART NUMBER	DESCRIPTION
10	H101030	SCREW CONFIRMAT 7x2 BLK

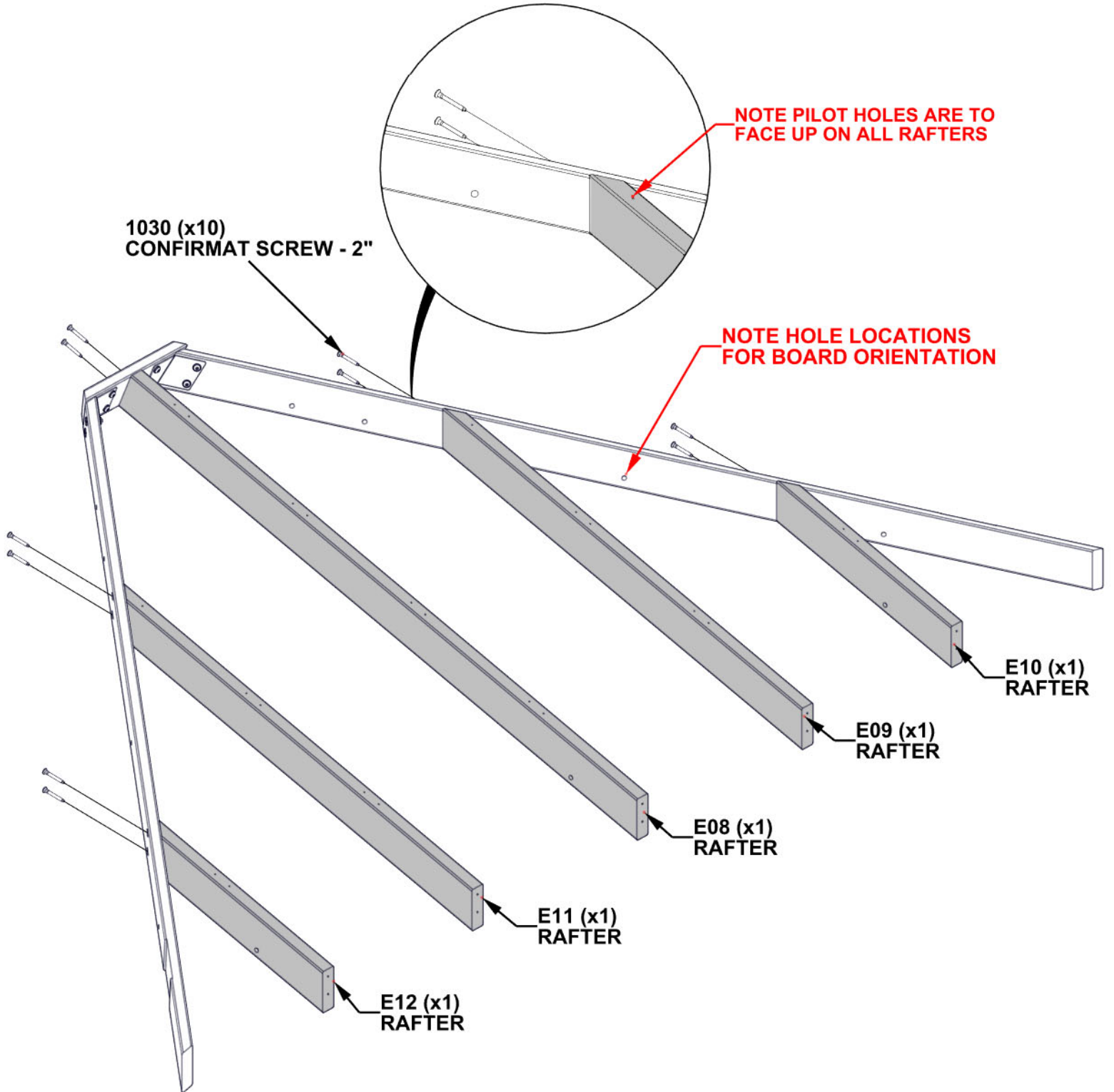
E11 RAFTER - W4L16807  
(x1) 1 7/16"x3 3/8"x41 3/16" (36x86x1047)

E10 RAFTER - W4L16806  
(x1) 1 7/16"x3 3/8"x20 3/4" (36x86x527)

E09 RAFTER - W4L16805  
(x1) 1 7/16"x3 3/8"x41 3/16" (36x86x1047)

E08 RAFTER - W4L16804  
(x1) 1 7/16"x3 3/8"x57 1/2" (36x86x1460)

E12 RAFTER - W4L16808  
(x1) 1 7/16"x3 3/8"x20 3/4" (36x86x527)



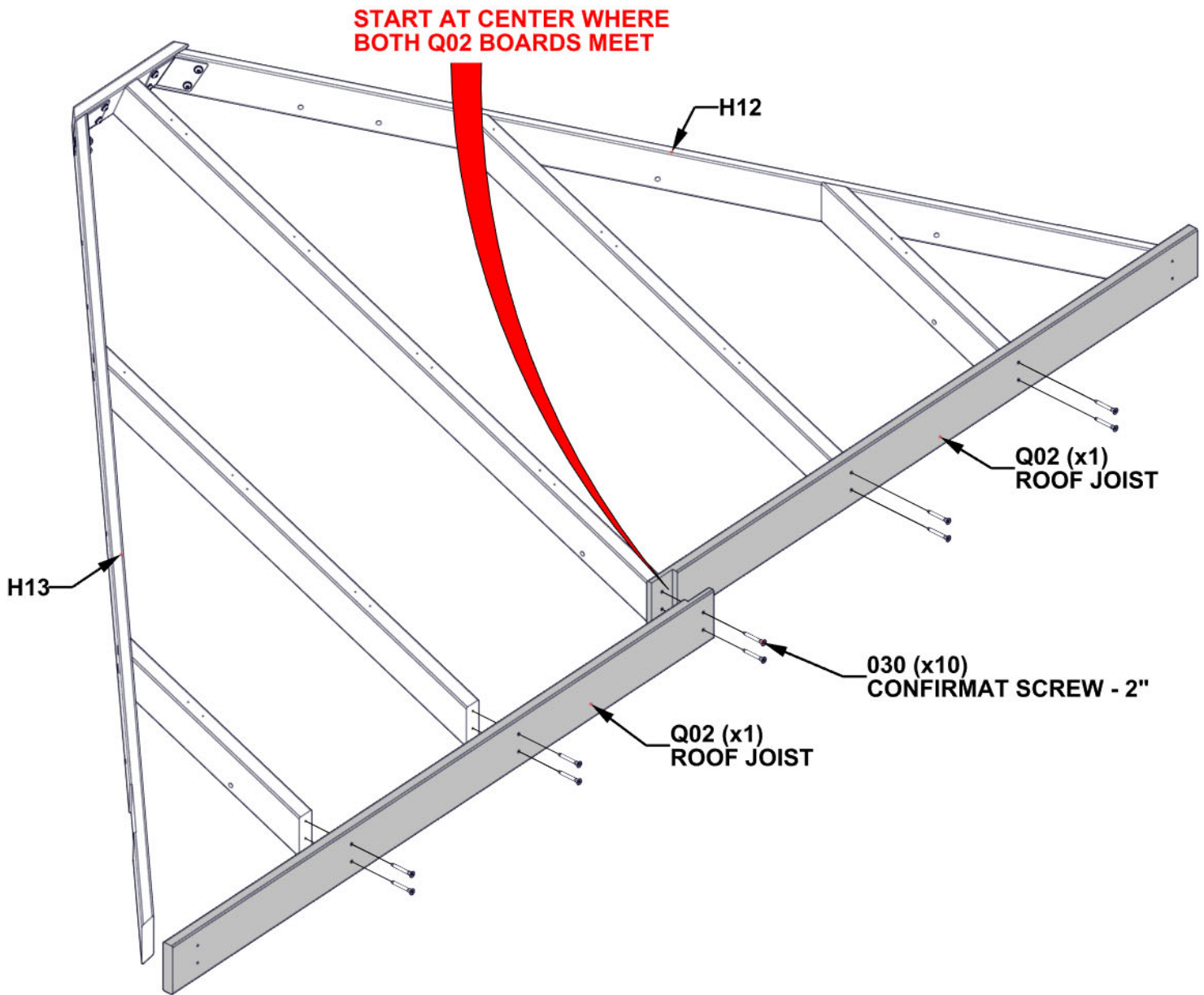
# STEP 26A - 10FT ROOF PANEL ASSEMBLY

Qty	PART NUMBER	DESCRIPTION
4	H100382	SCREW PFH 8x1 3/4 BLK
10	H101030	SCREW CONFIRMAT 7x2 BLK



Q02 ROOF JOIST - W4L16800  
(x2) 15/16"4 7/16" (24x112x1554)

**TIP:**  
• RAFTERS MAY NEED TO BE LOOSENED TO ATTACH Q02 TO H13/H12

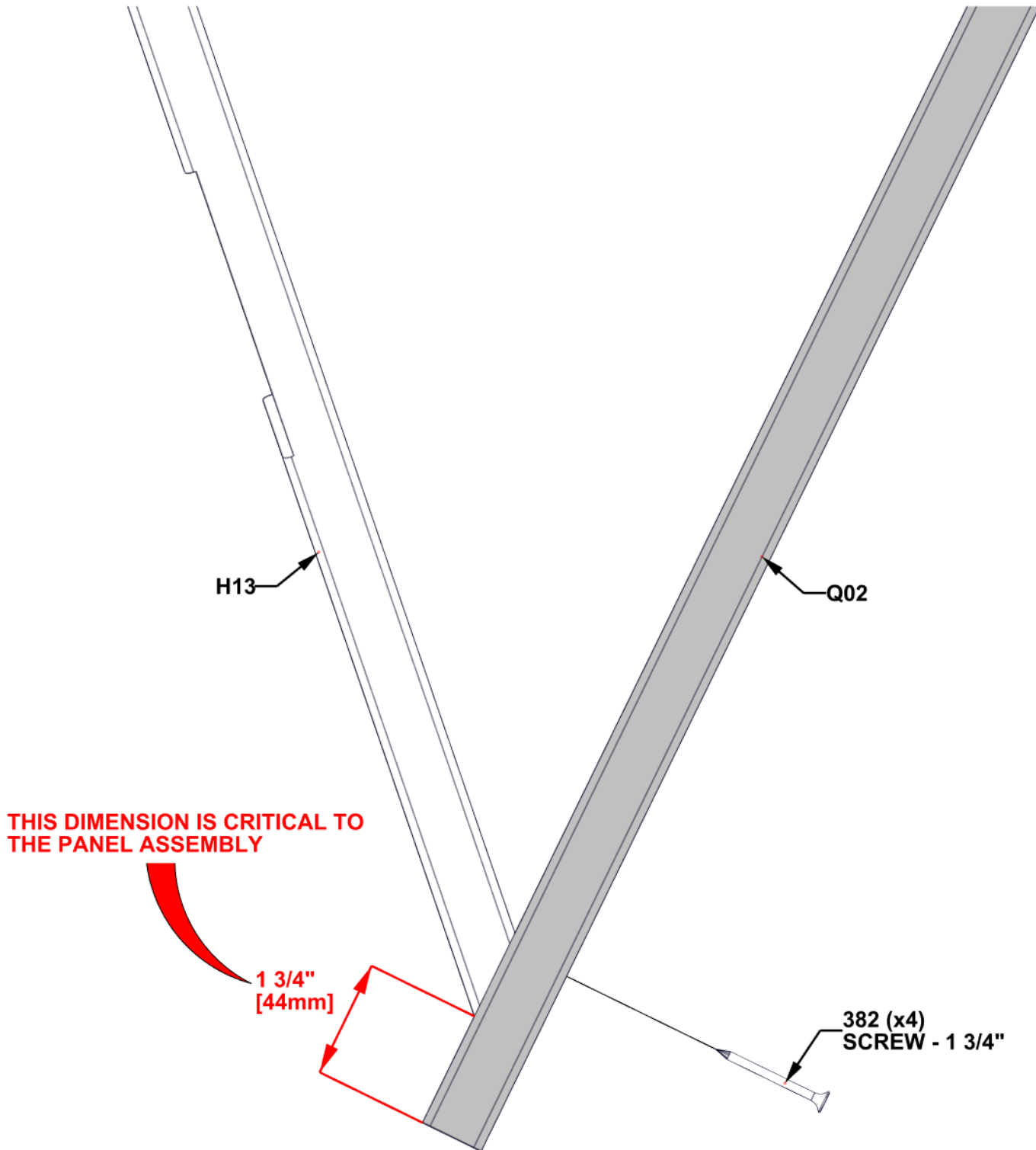




# STEP 26B - 10FT ROOF PANEL ASSEMBLY

## TIPS:

- USING THE Q02 BOARD AS A GUIDE AND A 1/8" DRILL BIT, DRILL PILOT HOLES INTO THE H13 BOARDS USING THE DIMENSION BELOW.
- REPEAT ON OPPOSITE END WITH H12 BOARD.



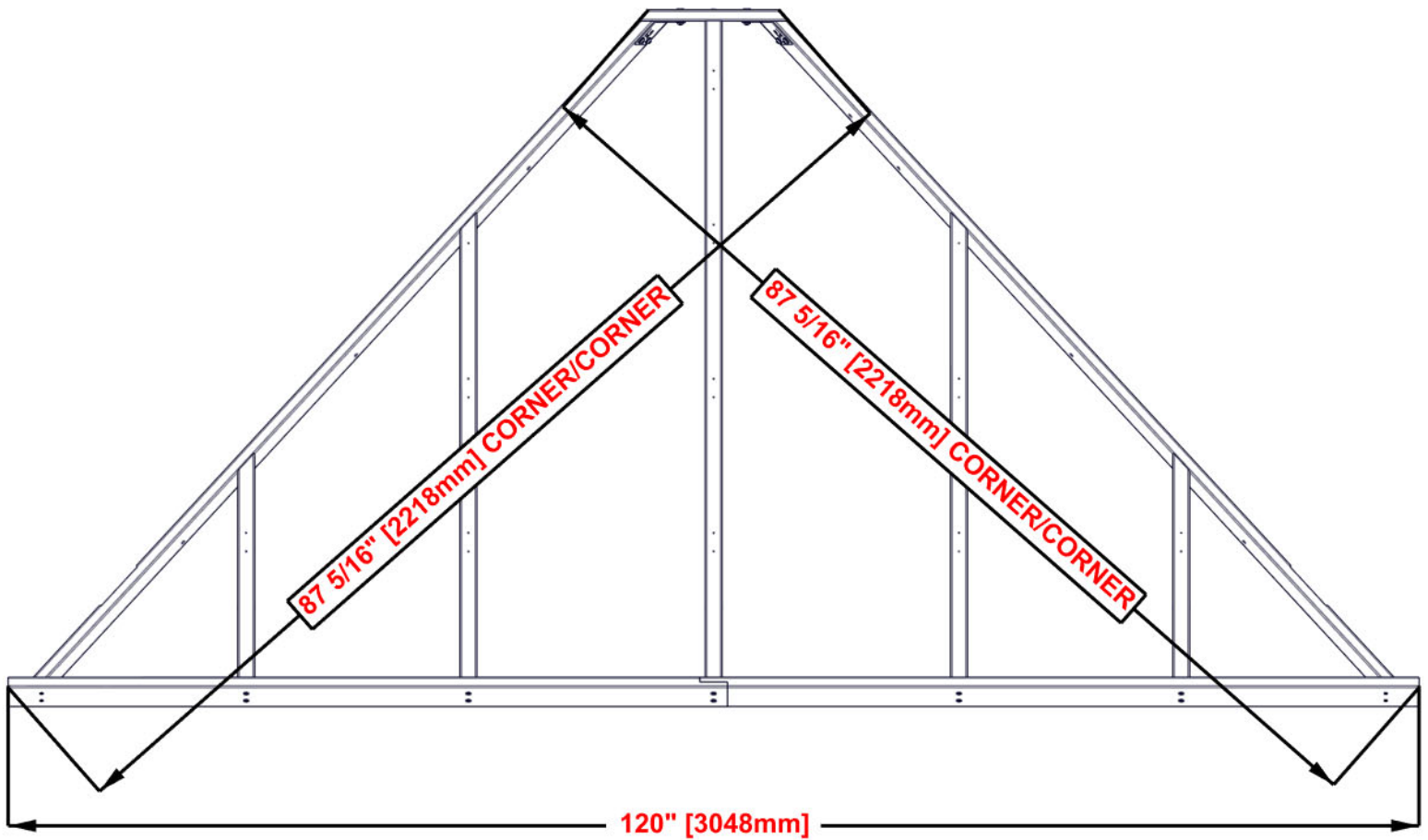
# STEP 26C - 10FT ROOF PANEL ASSEMBLY

## TIP:




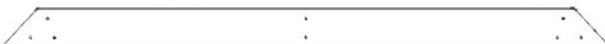
- LOOSEN HARDWARE TO ADJUST FOR SQUARING IF NEEDED

## CRITICAL:


- SQUARE UNIT BEFORE PROCEEDING TO NEXT STEPS.
- THE BELOW DIMENSIONS ARE CRITICAL TO THE FINAL ROOF ASSEMBLY.
- MEASUREMENTS SHOULD BE WITHIN +/- 1/4"
- MEASUREMENTS OUTSIDE OF TOLERANCE WILL LEAD TO THE INABILITY TO ASSEMBLE THE ROOF.



# STEP 27 - 10FT ROOF PANEL ASSEMBLY

	T02 PURLIN - W4L16813 (x1) 15/16"x1 5/16"x15" (24x34x382)		H17 PURLIN - W4L16812 (x1) 15/16"x3 3/8"x26 1/2" (24x86x673)
	H15 PURLIN - W4L16810 (x1) 15/16"x3 3/8"x74 15/16" (24x86x1904)		H16 PURLIN - W4L16811 (x1) 15/16"x3 3/8"x50 11/16" (24x86x1288)

Qty	PART NUMBER	DESCRIPTION
40	H100391	SCREW PFH 8x2 BLK

	H14 PURLIN - W4L16809 (x2) 15/16"x3 3/8"x50 13/16" (24x86x1290)
---	--

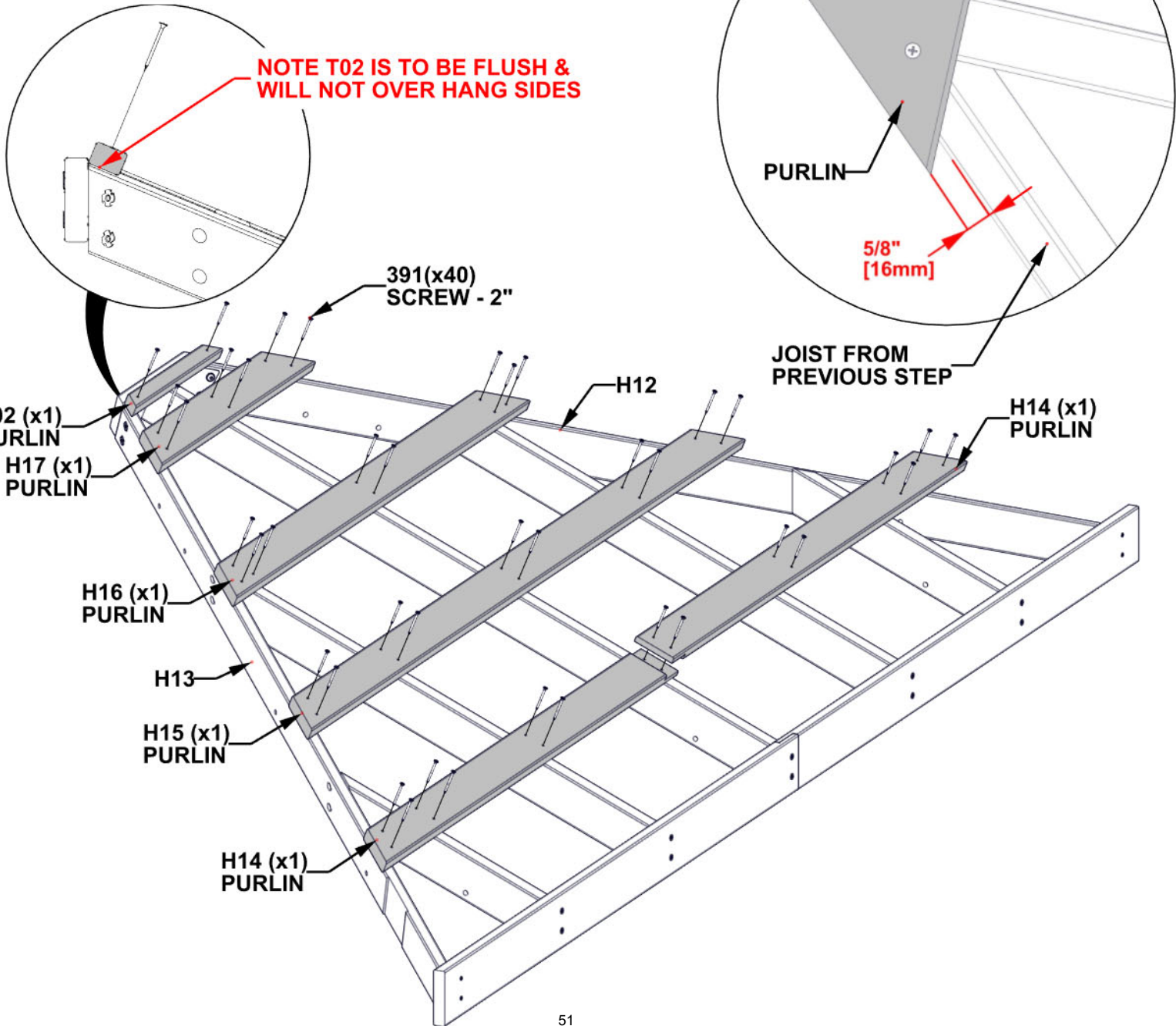
**TIPS:**

- ALIGN PURLIN PILOT HOLES WITH RAFTER PILOT HOLES.
- ATTACH SCREWS FROM THE CENTER AND WORK OUTWARDS.
- H12/H13 BOARDS DO NOT HAVE PILOT HOLES FOR OUTSIDE EDGE BOARDS.
- USING THE PURLINS AS A GUIDE AND A 1/8" DRILL BIT, DRILL PILOT HOLES INTO H12/H13 BOARDS.

**IF PURLINS OVERHANG MORE THAN 5/8", CUT DOWN TO 5/8"**

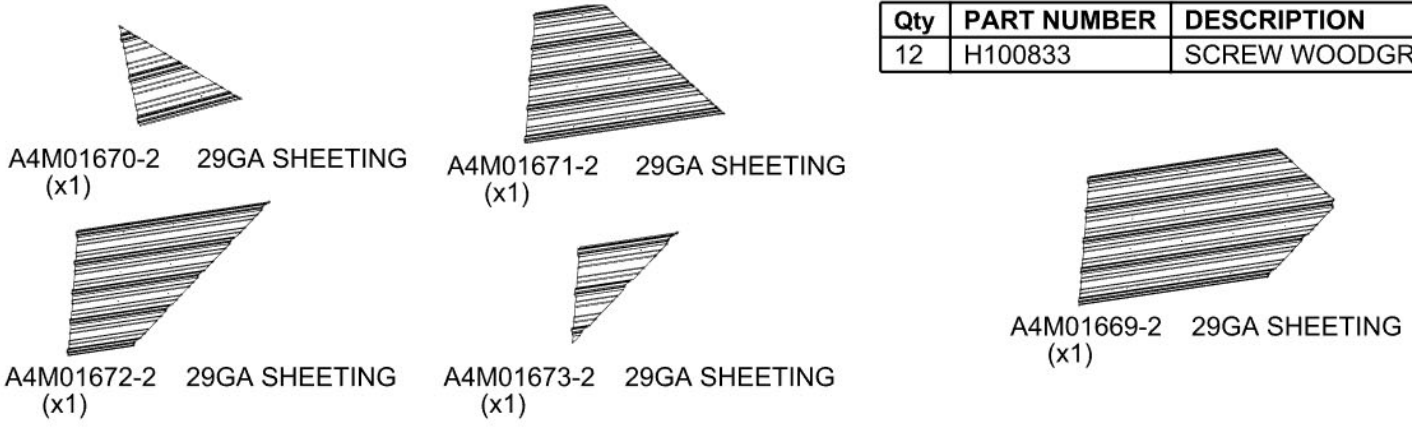
**OUTSIDE EDGE SCREWS**

**NOTE T02 IS TO BE FLUSH & WILL NOT OVER HANG SIDES**



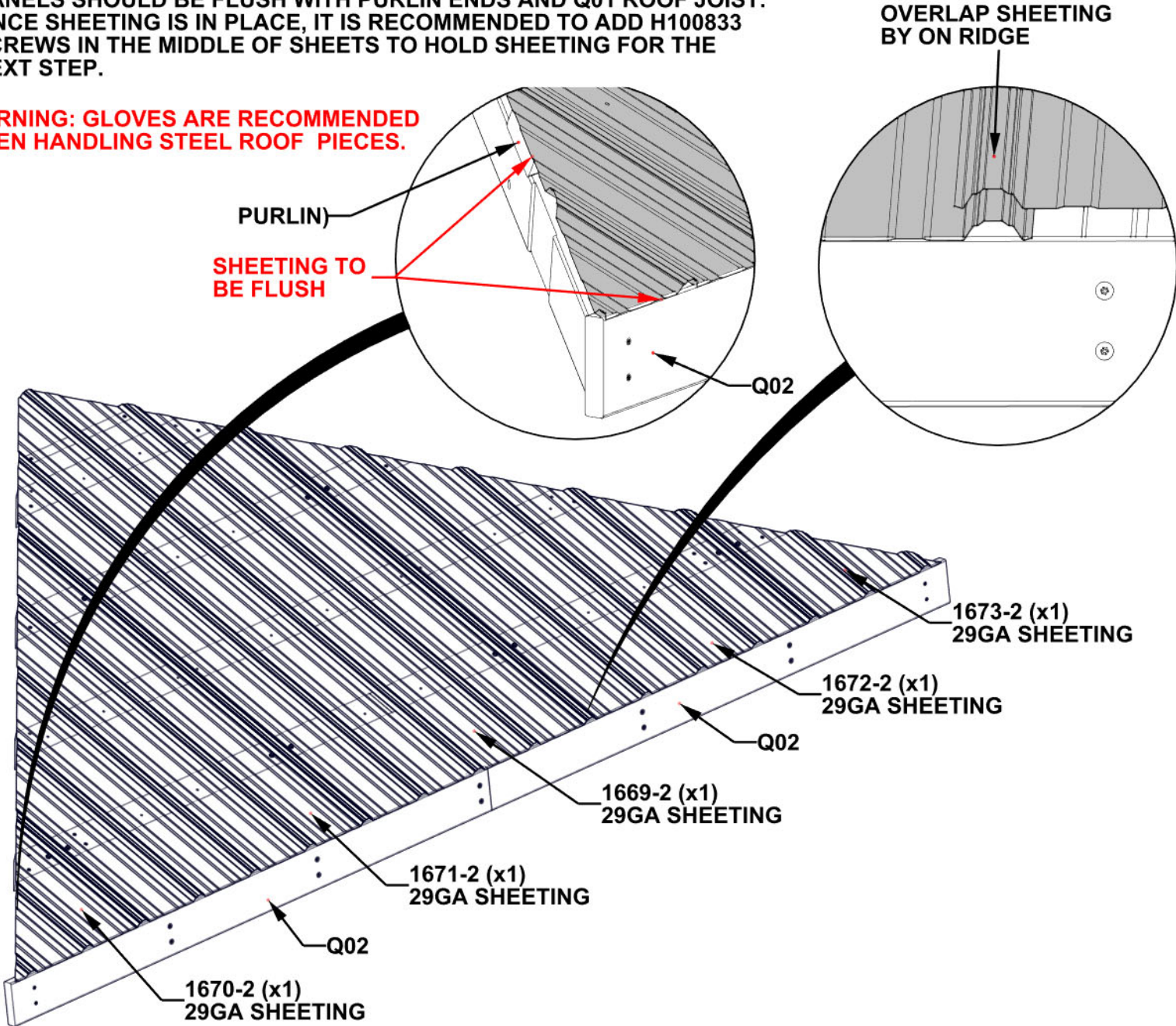
# STEP 28 - 10FT ROOF PANEL ASSEMBLY

Qty	PART NUMBER	DESCRIPTION
12	H100833	SCREW WOODGRIP 10-16x3/4



- TIPS:**
- REMOVE PROTECTIVE BLUE FILM
  - STARTING IN THE CENTER, PLACE PANELS AS SHOWN BELOW.
  - OVERLAP PANELS BY ONE RIDGE.
  - PANELS SHOULD BE FLUSH WITH PURLIN ENDS AND Q01 ROOF JOIST.
  - ONCE SHEETING IS IN PLACE, IT IS RECOMMENDED TO ADD H100833 SCREWS IN THE MIDDLE OF SHEETS TO HOLD SHEETING FOR THE NEXT STEP.

**WARNING: GLOVES ARE RECOMMENDED WHEN HANDLING STEEL ROOF PIECES.**



# STEP 29 - 10FT ROOF PANEL ASSEMBLY

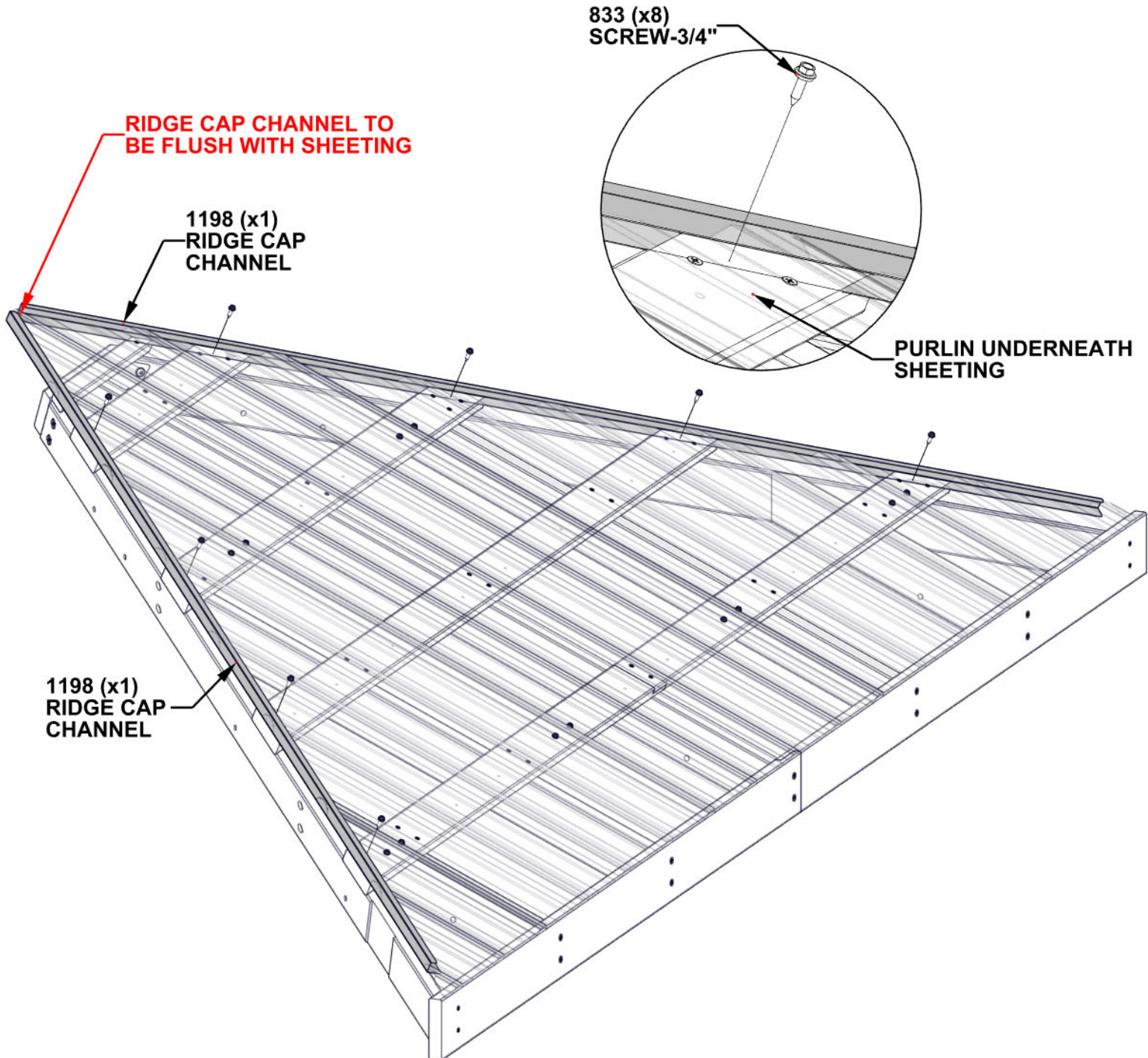
Qty	PART NUMBER	DESCRIPTION
8	H100833	SCREW WOODGRIP 10-16x3/4



A4M01198 RIDGE CAP CHANNEL  
(x2)

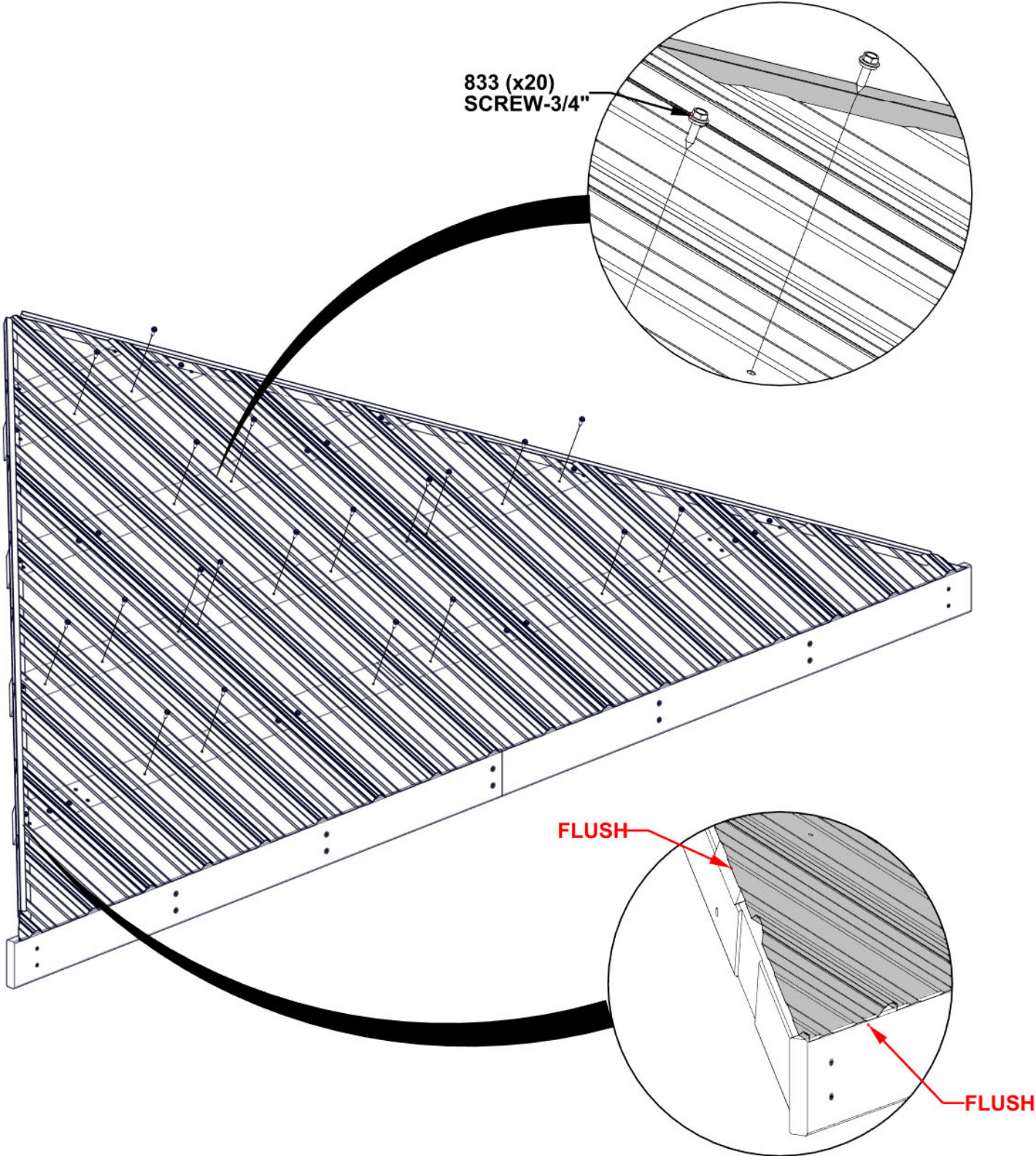
## TIPS:

- POSITION THE RIDGE CAP CHANNEL OVER THE EDGE OF THE ROOF PANELS WITH THE WIDER SIDE OF THE CHANNEL ON THE BOTTOM.
- MAKE SURE THE PANELS ARE FULLY SEATED INTO THE CHANNEL.
- FLUSH THE TOP OF THE CHANNEL WITH THE TOP OF THE METAL PANELS.



# STEP 30 - 10FT ROOF PANEL ASSEMBLY

Qty	PART NUMBER	DESCRIPTION
20	H100833	SCREW WOODGRIP 10-16x3/4



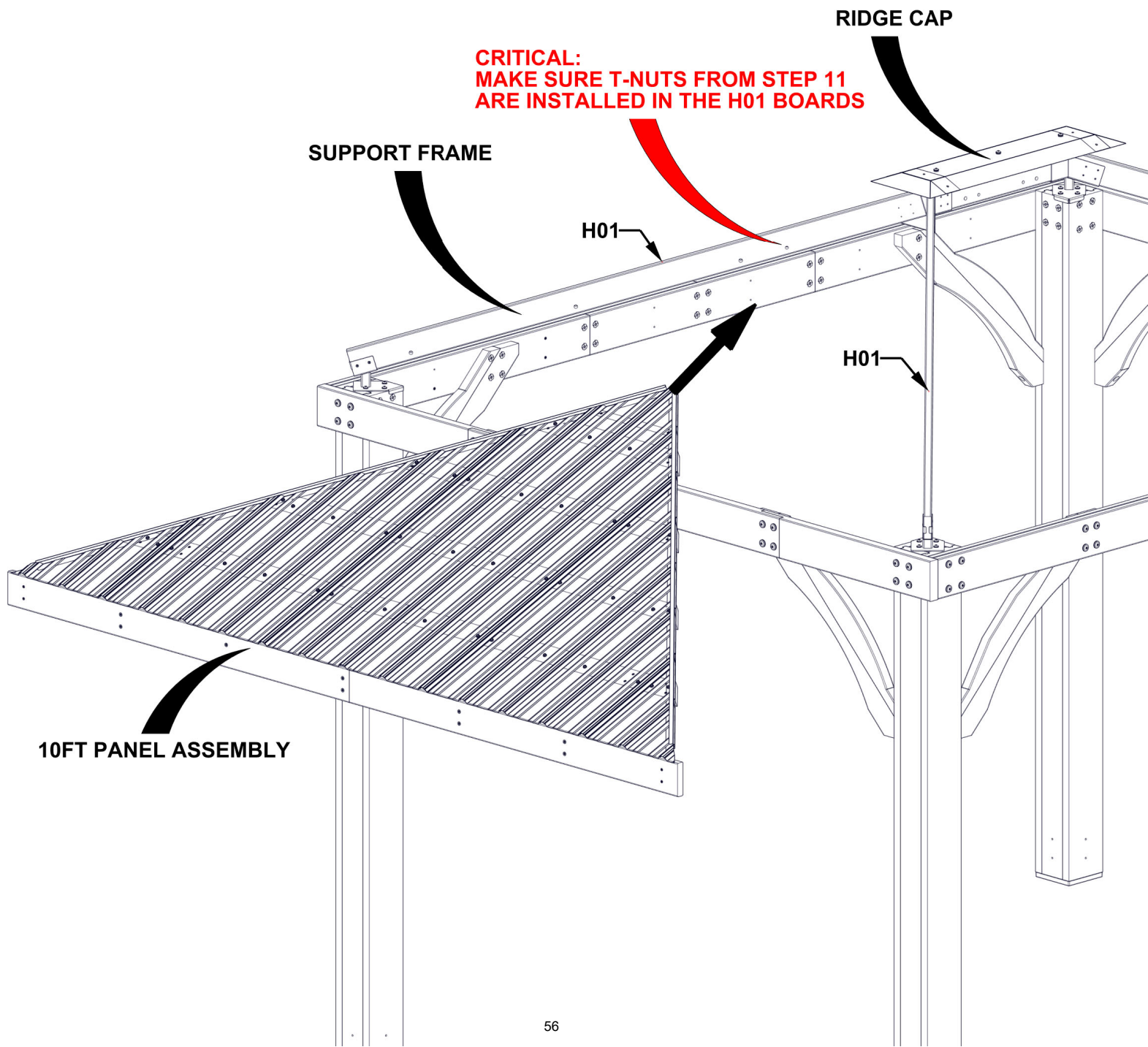
**REPEAT 10FT ROOF PANEL  
ASSEMBLY STEPS 23 THROUGH 30**

# STEP 31A - 10FT ROOF PANEL ATTACHMENT

## TIPS:

- THREE PEOPLE ARE HELPFUL FOR THIS STEP.
- POSITION A PERSON ON A LADDER IN THE CENTER OF THE GAZEBO TO HELP SUPPORT THE ROOF PANEL.
- WITH TWO PEOPLE, WORK THE PANEL UP WITHOUT SLIDING OR DRAGGING, UNTIL IT MEETS THE ROOF SUPPORT FRAME.
- MAKE SURE THE ROOF PANEL SLIDES UNDERNEATH THE RIDGE CAP.

**WARNING: GLOVES ARE RECOMMENDED WHEN HANDLING STEEL ROOF PIECES.**





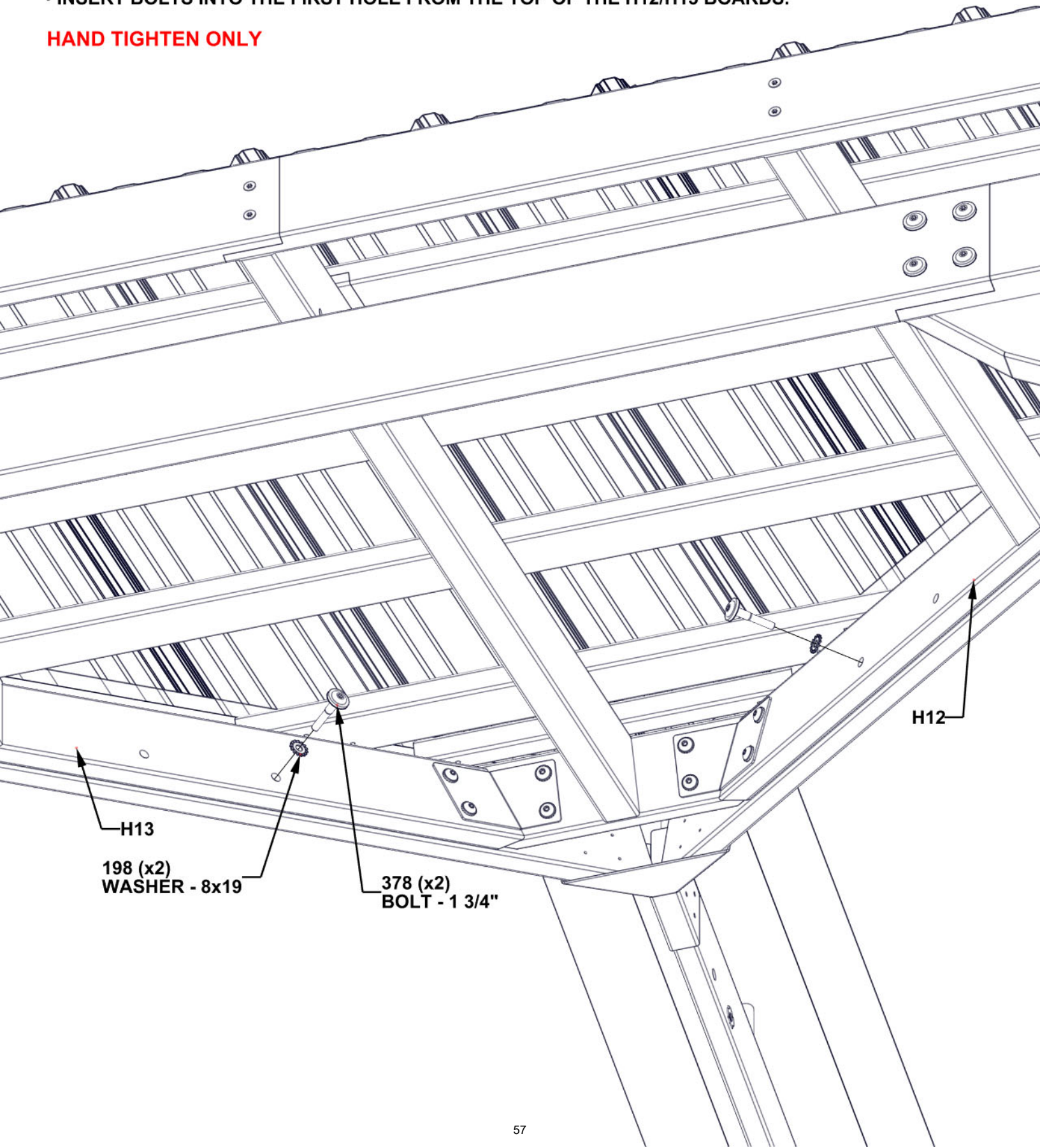
# STEP 31B - 10FT ROOF PANEL ATTACHMENT

Qty	PART NUMBER	DESCRIPTION
2	H100198	WASHER LOCK EXT 8X19 BLK
2	H100378	BOLT WH 5/16x1 3/4 BLK

## TIPS:

- IF NECESSARY, USE A LONG SCREWDRIVER OR CLAMPS TO HOLD PANELS IN PLACE.
- INSERT BOLTS INTO THE FIRST HOLE FROM THE TOP OF THE H12/H13 BOARDS.

**HAND TIGHTEN ONLY**



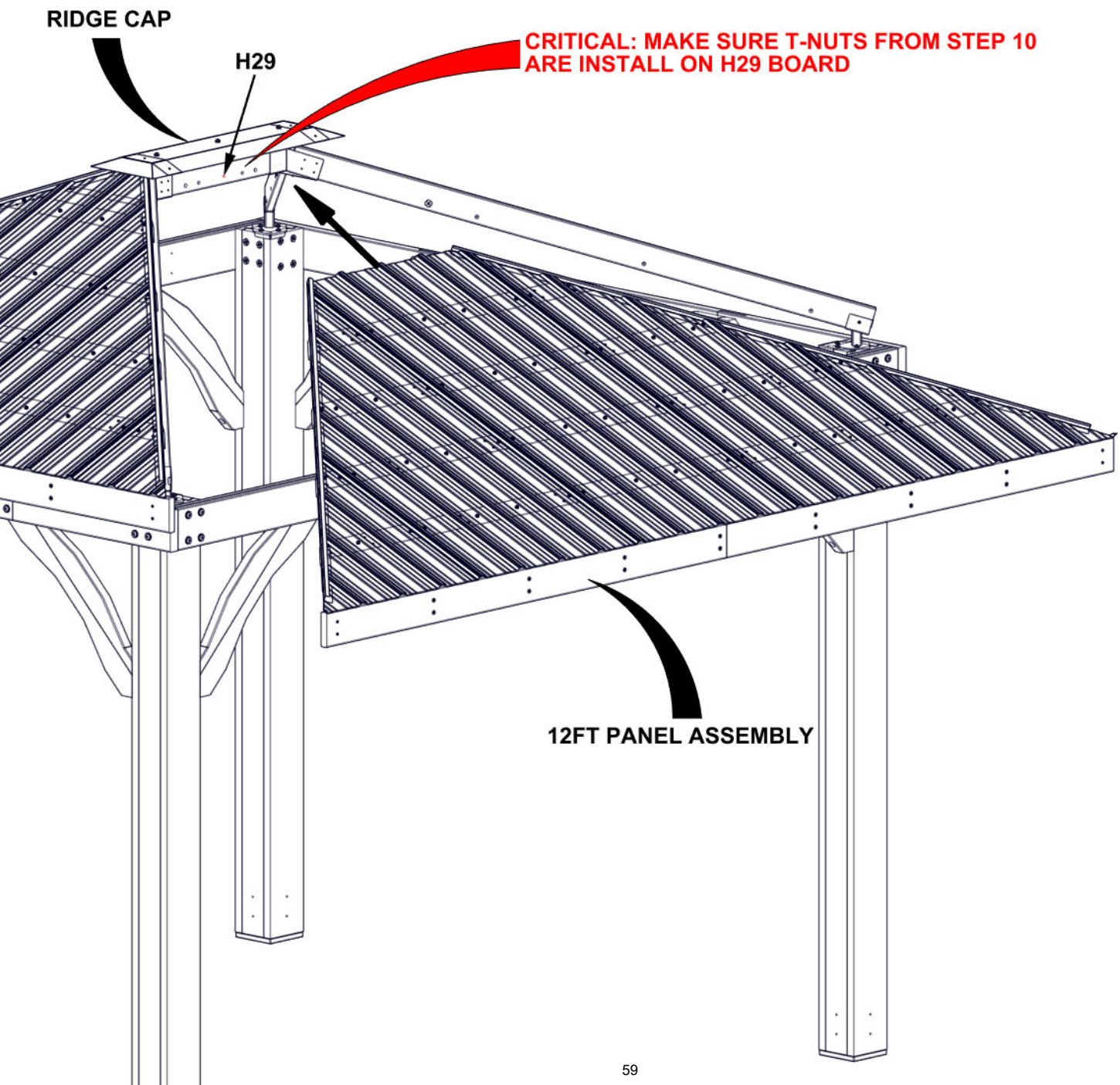
**REPEAT 10FT ROOF PANEL INSTALLATION  
STEPS 31A & 31B**

## STEP 32A - 12FT ROOF PANEL ATTACHMENT

### TIPS:

- THREE PEOPLE ARE HELPFUL FOR THIS STEP.
- POSITION A PERSON ON A LADDER IN THE CENTER OF THE GAZEBO TO HELP SUPPORT THE ROOF PANEL.
- WITH TWO PEOPLE, WORK THE PANEL UP WITHOUT SLIDING OR DRAGGING, UNTIL IT MEETS THE ROOF SUPPORT FRAME.
- MAKE SURE THE ROOF PANEL SLIDES UNDERNEATH THE RIDGE CAP.

**WARNING: GLOVES ARE RECOMMENDED WHEN HANDLING STEEL ROOF PIECES.**

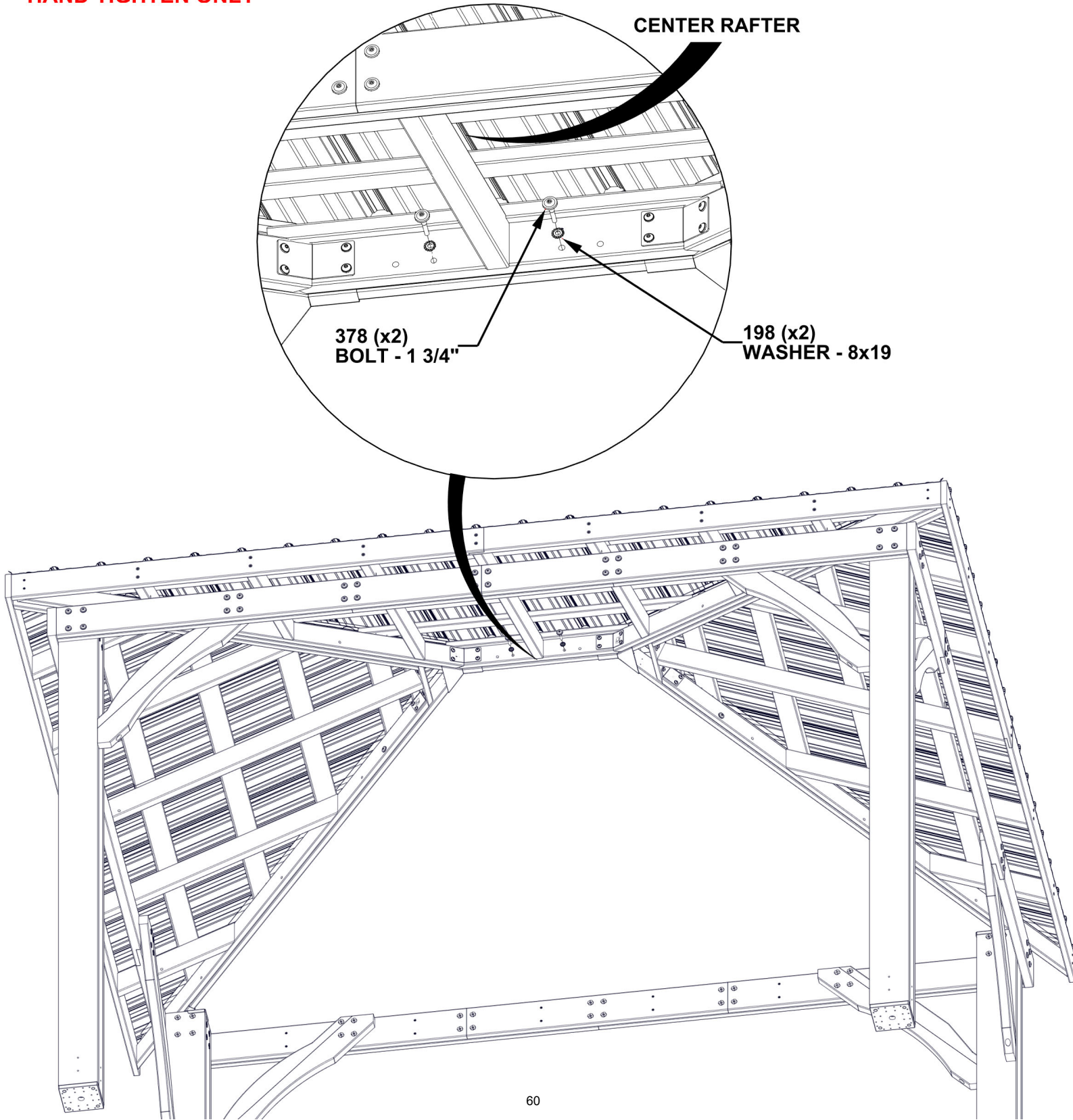


# STEP 32B - 12FT ROOF PANEL ATTACHMENT

Qty	PART NUMBER	DESCRIPTION
2	H100198	WASHER LOCK EXT 8X19 BLK
2	H100378	BOLT WH 5/16x1 3/4 BLK

- TIP:**  
• IF NECESSARY, USE A LONG SCREWDRIVER OR CLAMPS TO HOLD PANEL IN PLACE.

**HAND TIGHTEN ONLY**

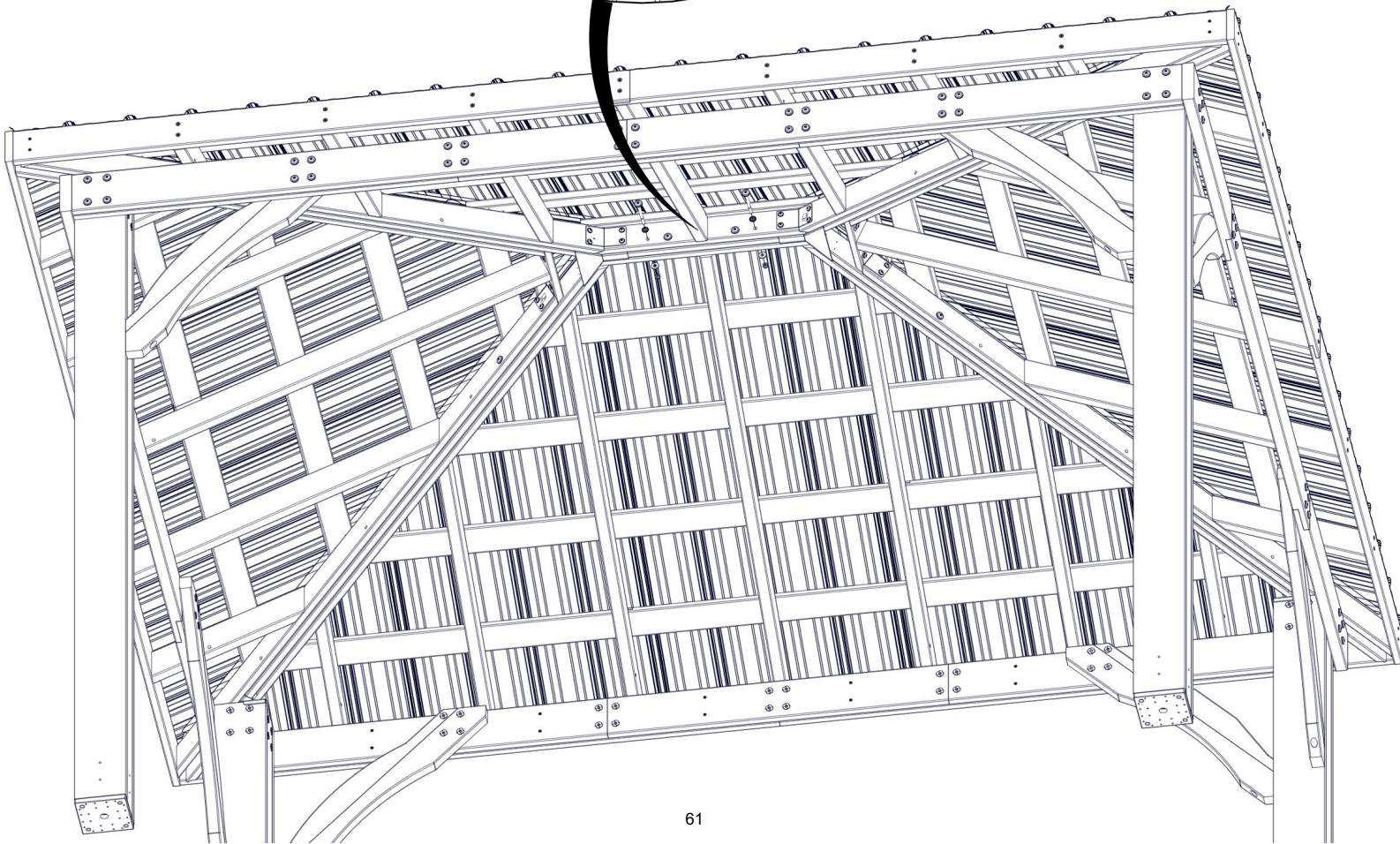
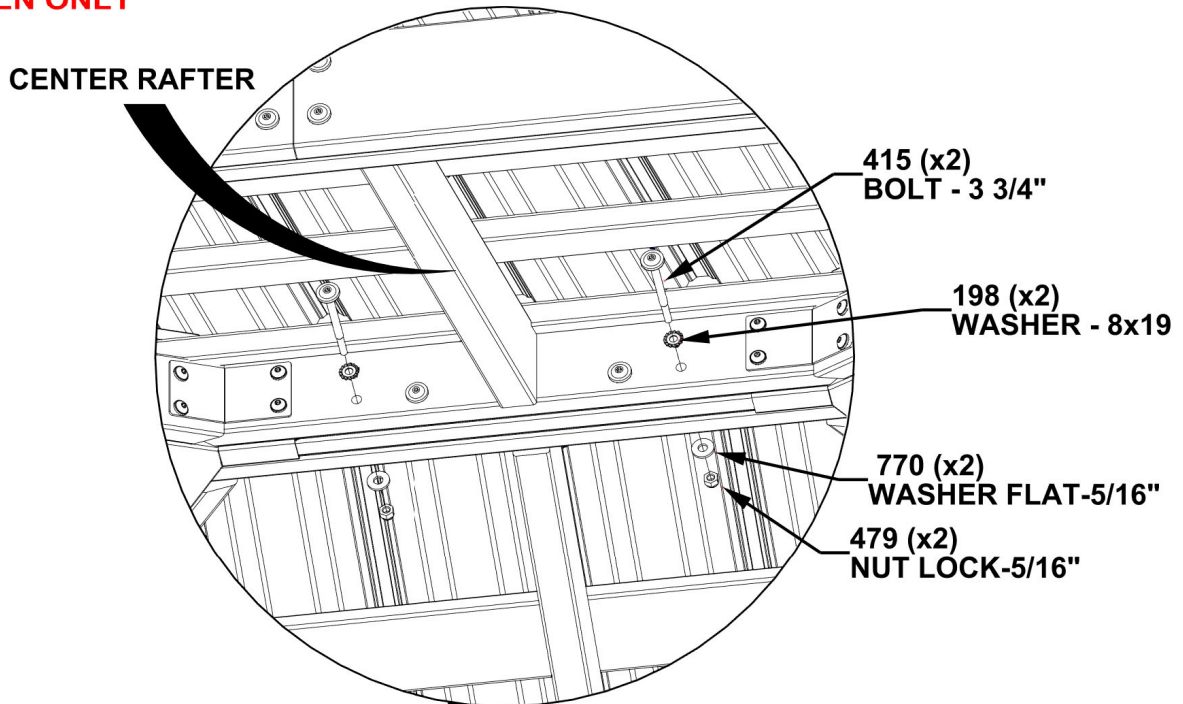


# STEP 33A - 12FT ROOF PANEL ATTACHMENT

Qty	PART NUMBER	DESCRIPTION
2	H100198	WASHER LOCK EXT 8X19 BLK
2	H100415	BOLT WH 5/16x3 3/4 BLK
2	H100479	NUT LOCK 5/16 BLK
2	H100770	WASHER FLAT 5/16 BLK

- TIPS:**
- REPEAT STEP 32A FOR SECOND 12FT PANEL.
  - IF NECESSARY USE A LONG SCREWDRIVER OR CLAMPS TO HOLD PANEL IN PLACE.

**HAND TIGHTEN ONLY**



# STEP 33B - 12FT ROOF PANEL ATTACHMENT

Qty	PART NUMBER	DESCRIPTION
12	H100198	WASHER LOCK EXT 8X19 BLK
12	H100415	BOLT WH 5/16x3 3/4 BLK
12	H100479	NUT LOCK 5/16 BLK
12	H100770	WASHER FLAT 5/16 BLK

**HAND TIGHTEN ONLY**

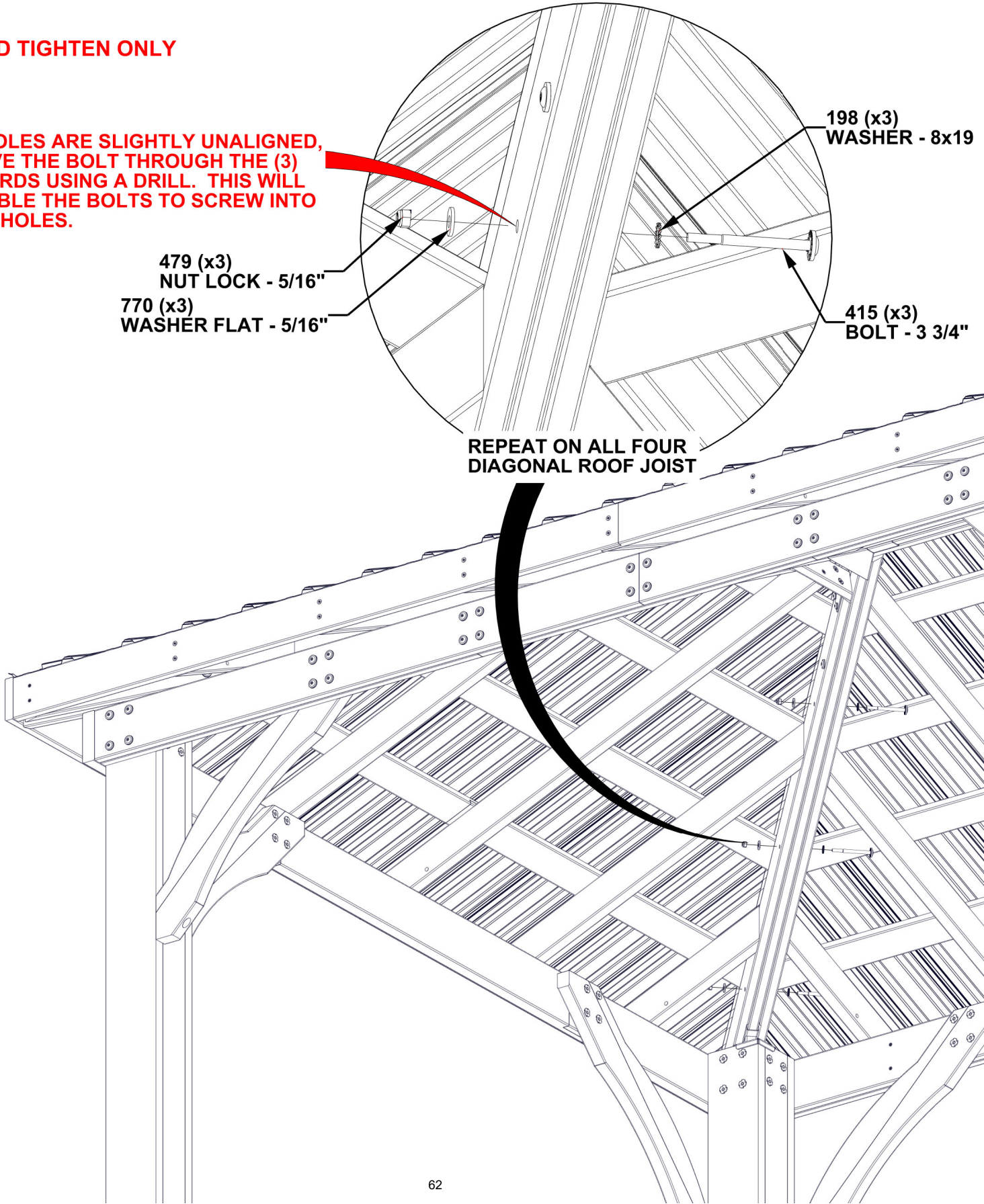
**IF HOLES ARE SLIGHTLY UNALIGNED, DRIVE THE BOLT THROUGH THE (3) BOARDS USING A DRILL. THIS WILL ENABLE THE BOLTS TO SCREW INTO THE HOLES.**

479 (x3)  
NUT LOCK - 5/16"  
770 (x3)  
WASHER FLAT - 5/16"

198 (x3)  
WASHER - 8x19

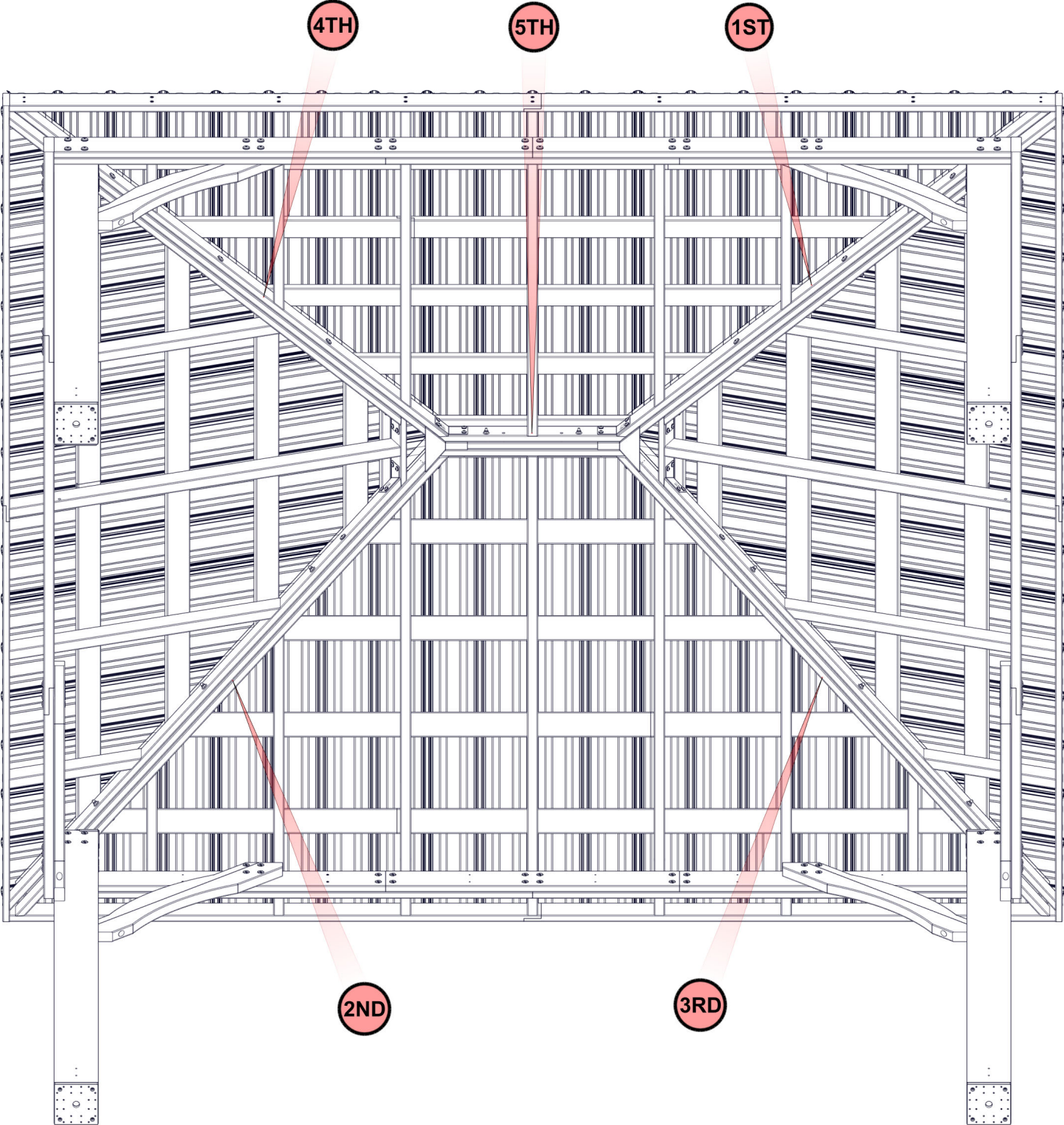
415 (x3)  
BOLT - 3 3/4"

**REPEAT ON ALL FOUR  
DIAGONAL ROOF JOIST**

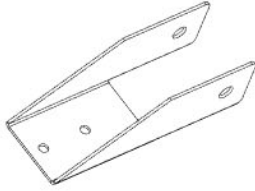


# STEP 34 - ROOF PANEL ATTACHMENT

**TIGHTEN ALL THE HARDWARE IN THE ORDER SHOWN BELOW.  
START AT THE TOP AND WORK YOUR WAY DOWN.**



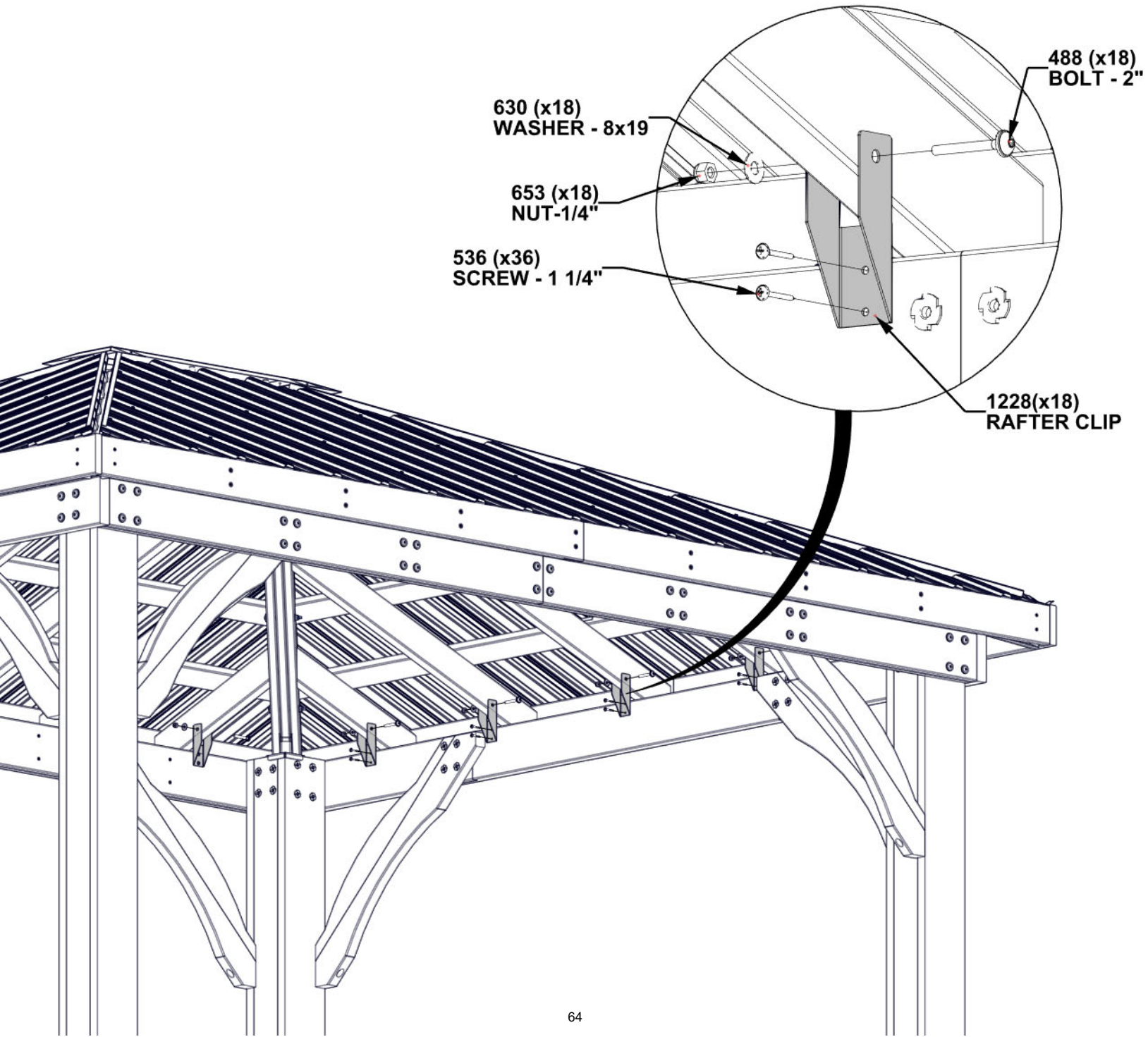
# STEP 35 - ROOF ASSEMBLY



A4M01228 RAFTER CLIP  
(x18)

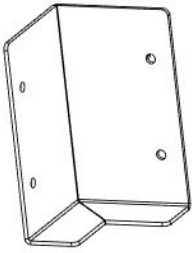
Qty	PART NUMBER	DESCRIPTION
18	H100488	BOLT WH 1/4x2 BLK
36	H100536	SCREW PWH 8x1 1/4 BLK
18	H100630	WASHER FLAT 8x19 BLK
18	H100653	NUT LOCK 1/4 BLK

- TIPS:**
- ATTACH RAFTER CLIPS FIRST WITH 2" BOLTS.
  - USING THE BRACKET AS A TEMPLATE AND A 1/8" DRILL BIT, DRILL PILOT HOLES FOR THE H100536 SCREWS.
  - DRILL PILOT HOLES APPROXIMATELY 1/2" DEEP.
  - NOTE THERE ARE NO RAFTER CLIPS WHERE CORBLES ARE LOCATED.



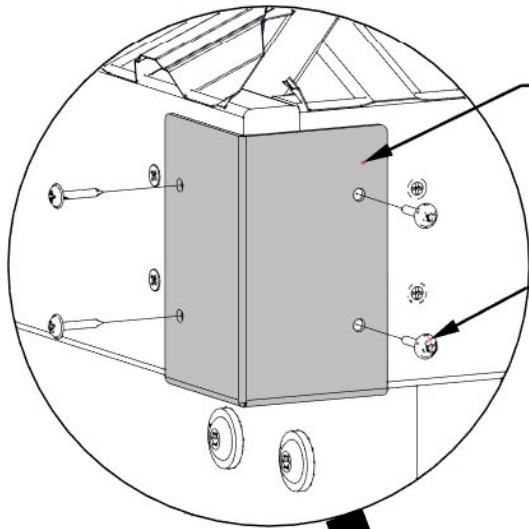


# STEP 36 - ROOF ASSEMBLY



A4M01185 CORNER BRACKET  
(x4)

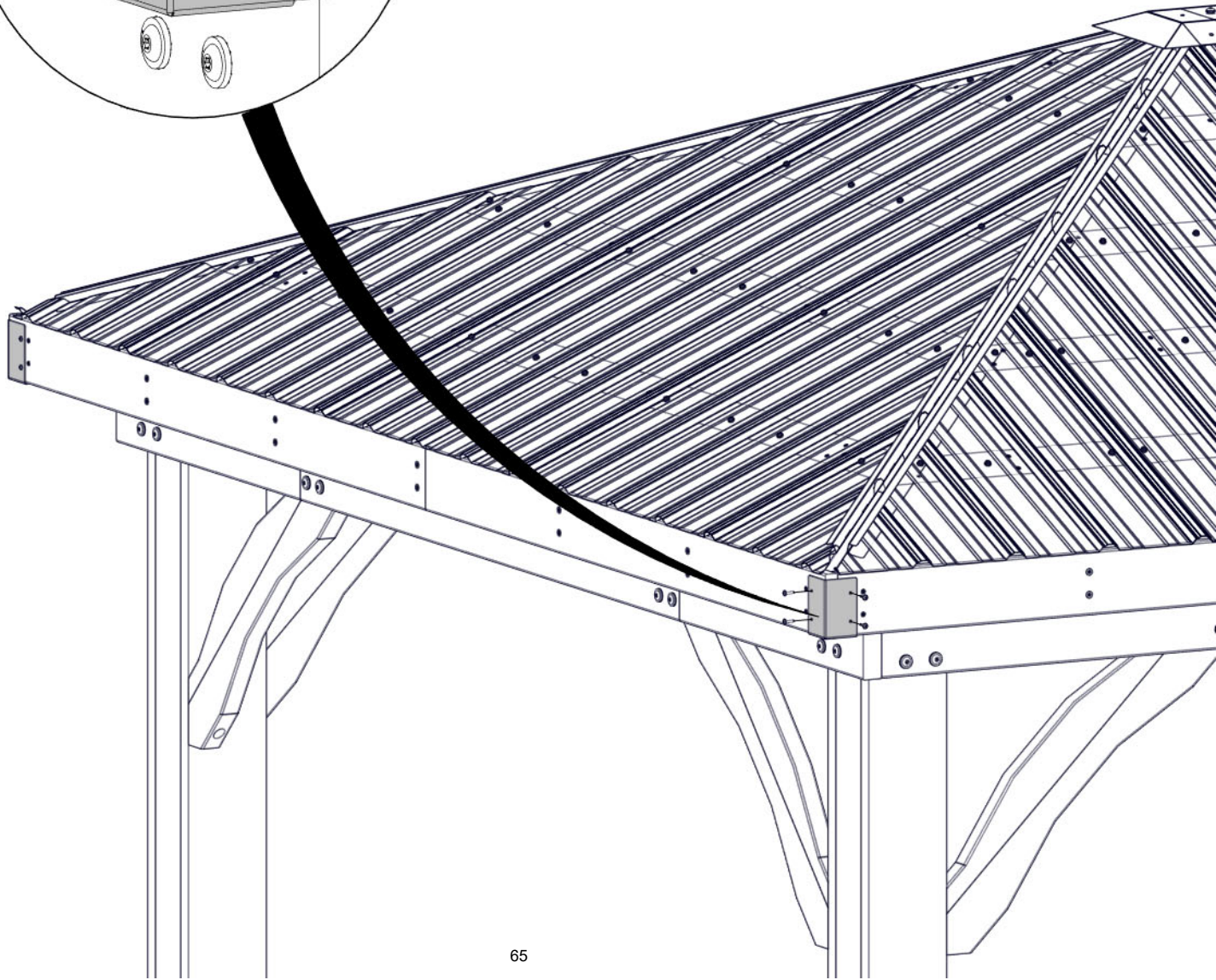
Qty	PART NUMBER	DESCRIPTION
16	H100392	SCREW PWH 8x3/4 BLK



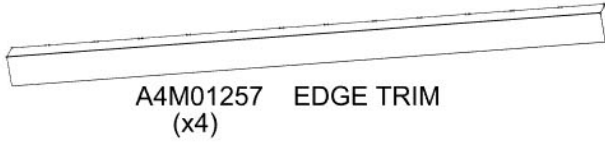
1185(x1)  
CORNER BRACKET

**REPEAT ON ALL FOUR CORNERS**

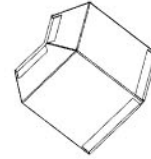
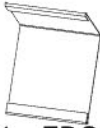
392 (x4)  
SCREW - 3/4"



# STEP 37 - 12FT ROOF TRIM

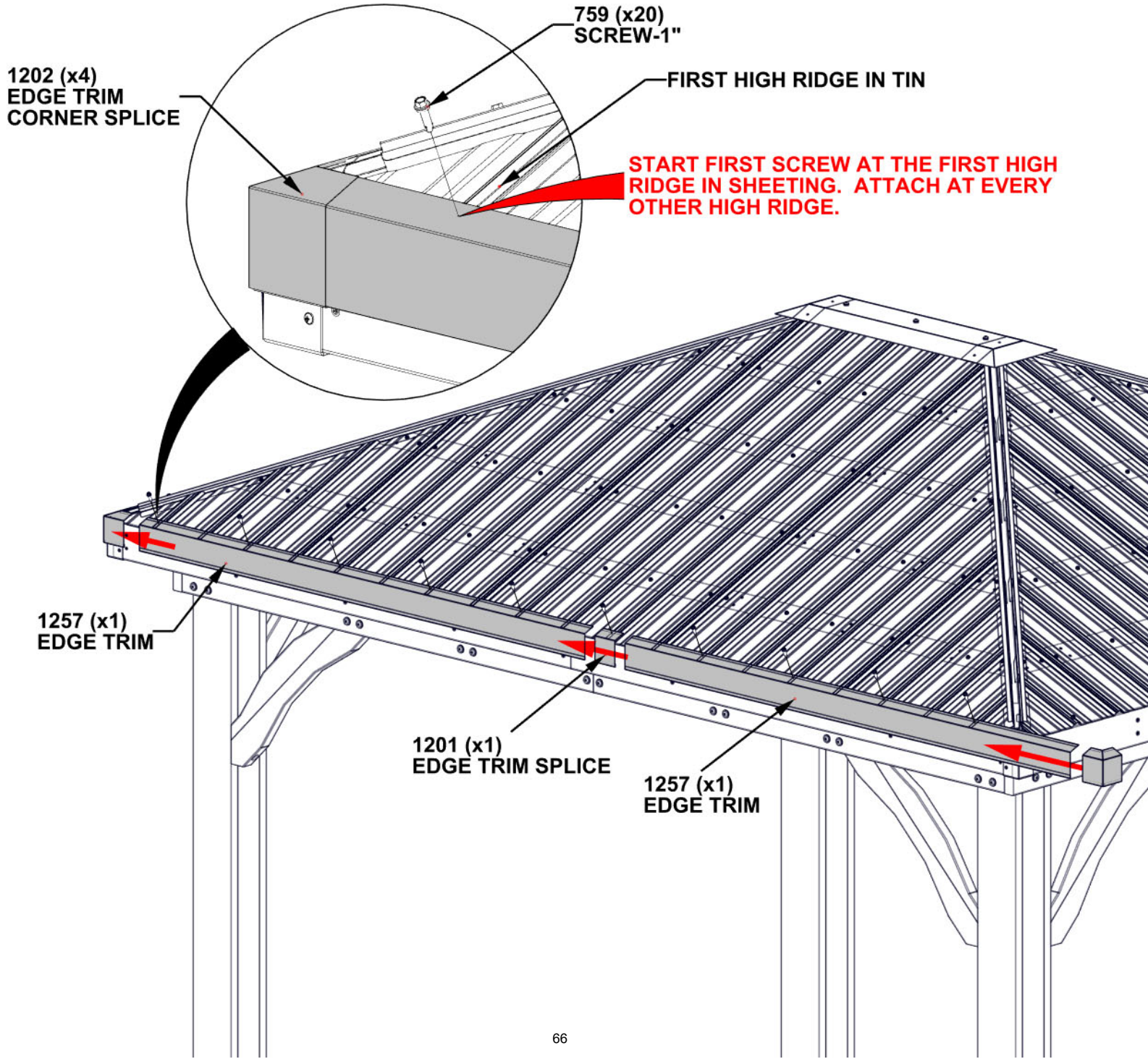


Qty	PART NUMBER	DESCRIPTION
20	H100759	SCREW SELF TAPPING 1/4x1



**TIPS:**

- START ON THE LEFT SIDE OF THE 12FT PANEL.
- SLIDE EDGE TRIM PIECES TOGETHER AS SHOWN BELOW.
- MAKE SURE ALL PANELS ARE COVERED BEFORE INSTALLING SCREWS.
- INSTALL H100759 AS SHOWN.



# STEP 38 - 10FT ROOF TRIM

Qty	PART NUMBER	DESCRIPTION
16	H100759	SCREW SELF TAPPING 1/4x1



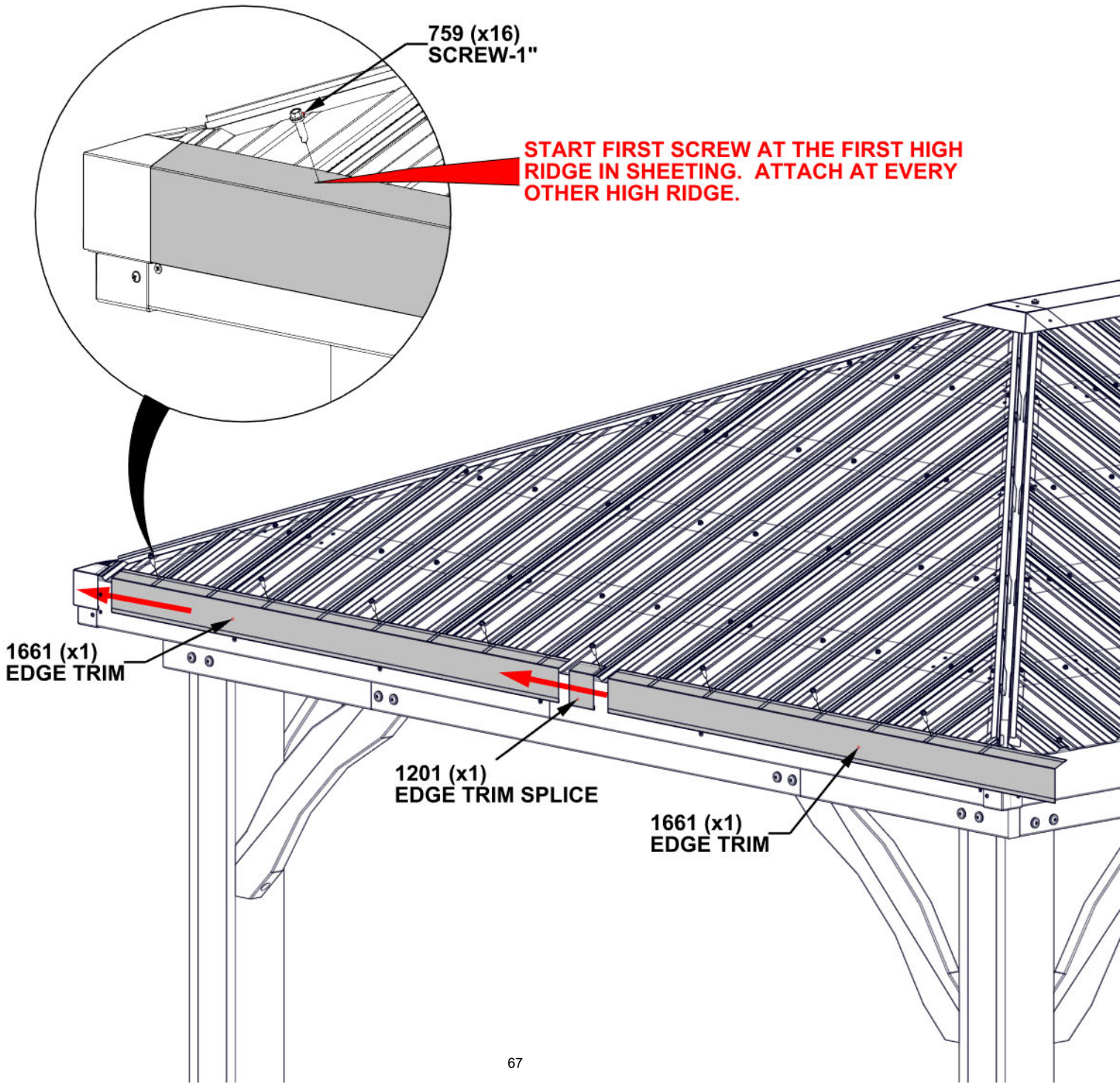
A4M01661 EDGE TRIM  
(x4)



A4M01201 EDGE TRIM SPLICE  
(x2)

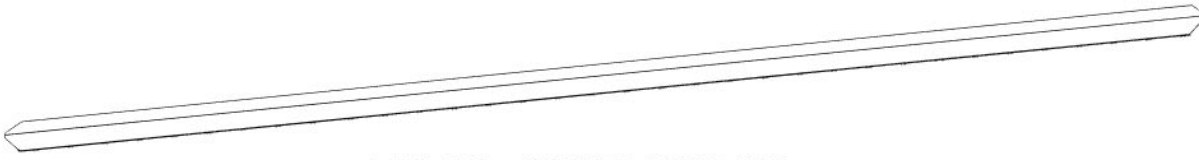
## TIPS:

- START ON THE LEFT SIDE OF THE 12FT PANEL.
- SLIDE EDGE TRIM PIECES TOGETHER AS SHOWN BELOW.
- MAKE SURE ALL PANELS ARE COVERED BEFORE INSTALLING SCREWS.
- INSTALL H100759 AS SHOWN.



# STEP 39 - ROOF ASSEMBLY

Qty	PART NUMBER	DESCRIPTION
8	H100759	SCREW SELF TAPPING 1/4x1

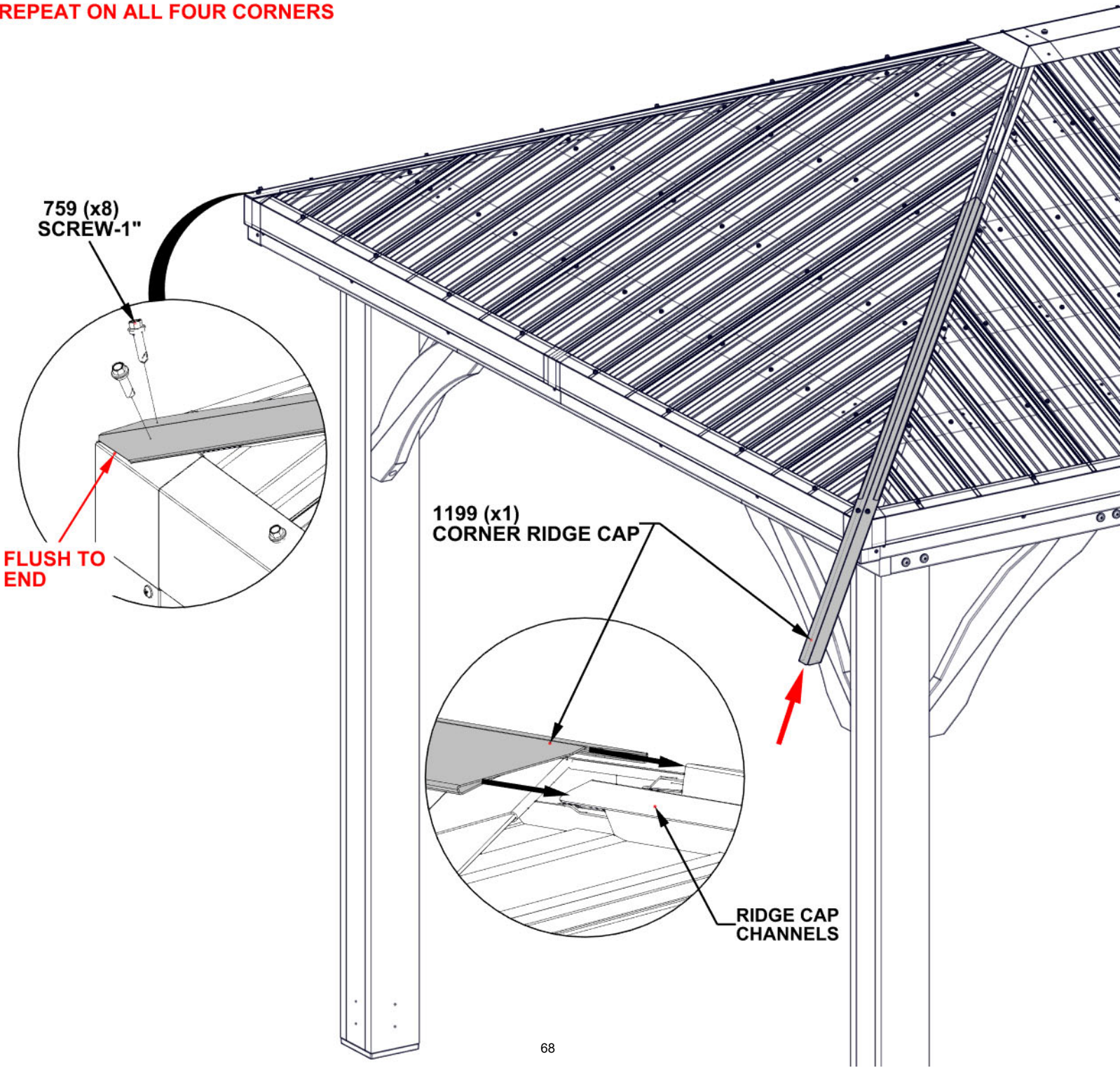


A4M01199 CORNER RIDGE CAP  
(x4)

## TIPS:

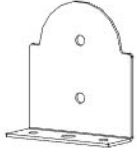
- SLIDE CORNER RIDGE CAP ONTO ROOF RIDGE CAP CHANNEL AS SHOWN.
- DO NOT PUSH ALL THE WAY TO THE TOP. FLUSH WITH CORNER OF GAZEBO AS SHOWN.

**REPEAT ON ALL FOUR CORNERS**

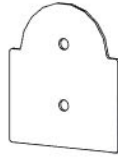


# STEP 40 - GAZEBO ASSEMBLY

Qty	PART NUMBER	DESCRIPTION
32	H100471	LAG SCREW WH 5/16x1 1/2 BLK



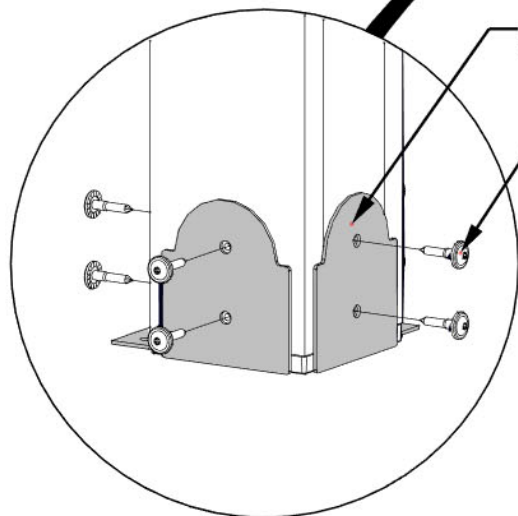
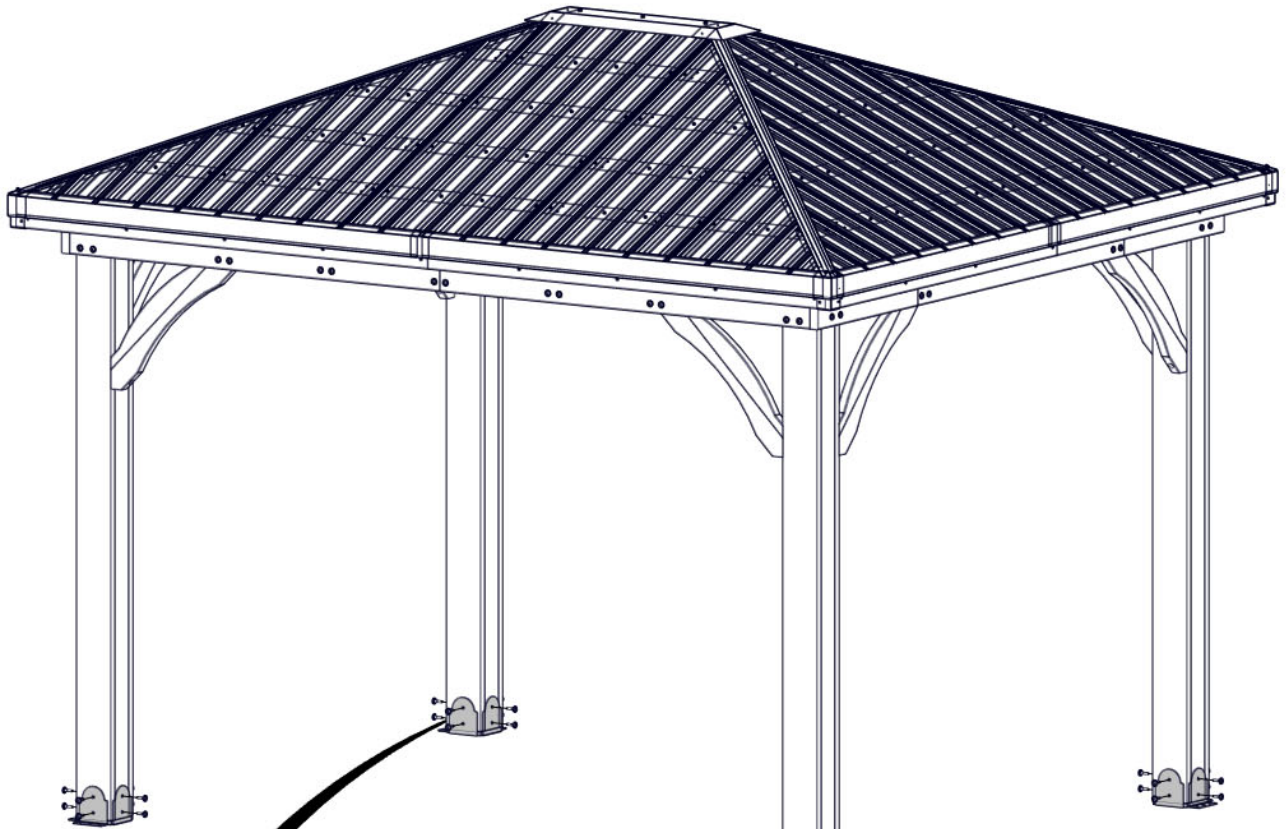
A4M01793 POST ANCHORING PLATE  
(x8)



A4M01794 POST PLATE  
(x8)

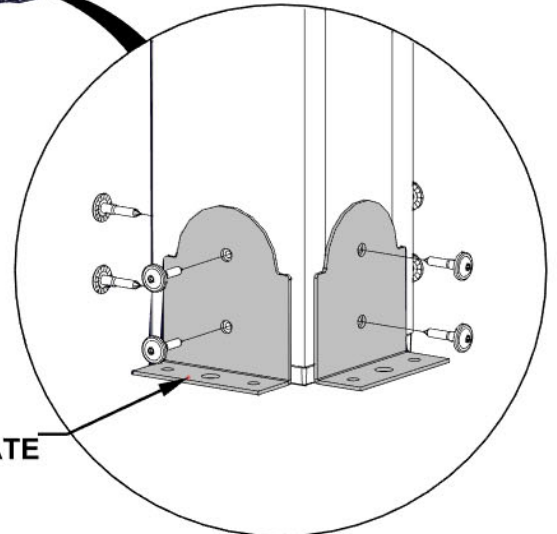
**TIPS:**

- ALL 1236 STEEL POST PLATES GO ON THE INSIDES OF THE POST AS SHOWN.
- ALL 1235 STEEL POST ANCHORING PLATES GO ON THE OUTSIDE OF THE POST AS SHOWN.



1794(x8)  
POST PLATE

471 (x32)  
LAG SCREW - 1 1/2"



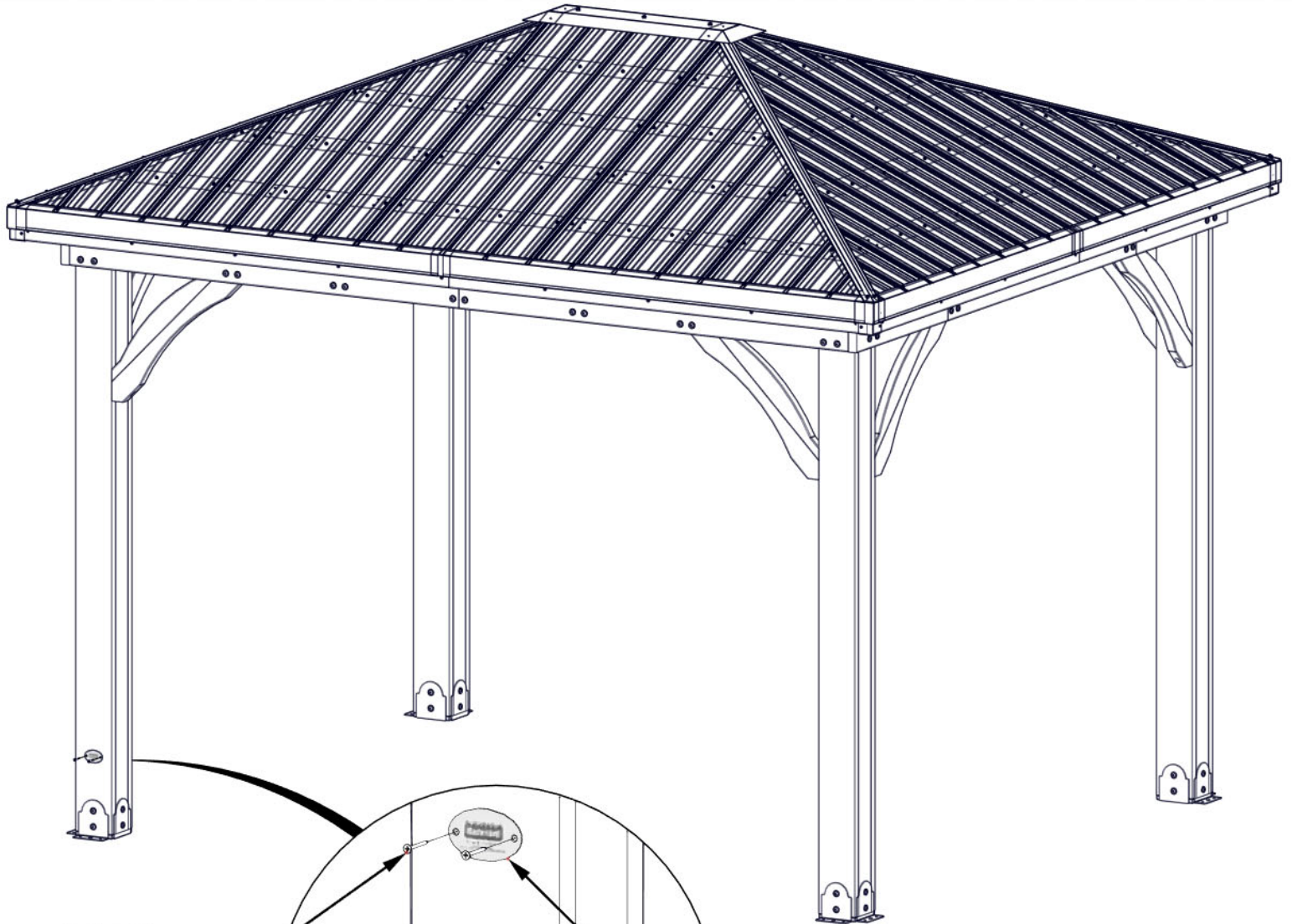
1793 (x8)  
POST ANCHORING PLATE

# STEP 41 - GAZEBO ASSEMBLY



Qty	PART NUMBER	DESCRIPTION
2	H100200	SCREW PFH 8x1 1/2 BLK

A100241 BYD ID TAG (SMALL) WITHOUT AGES  
(x1)



200 (x2)  
SCREW - 1 1/2"

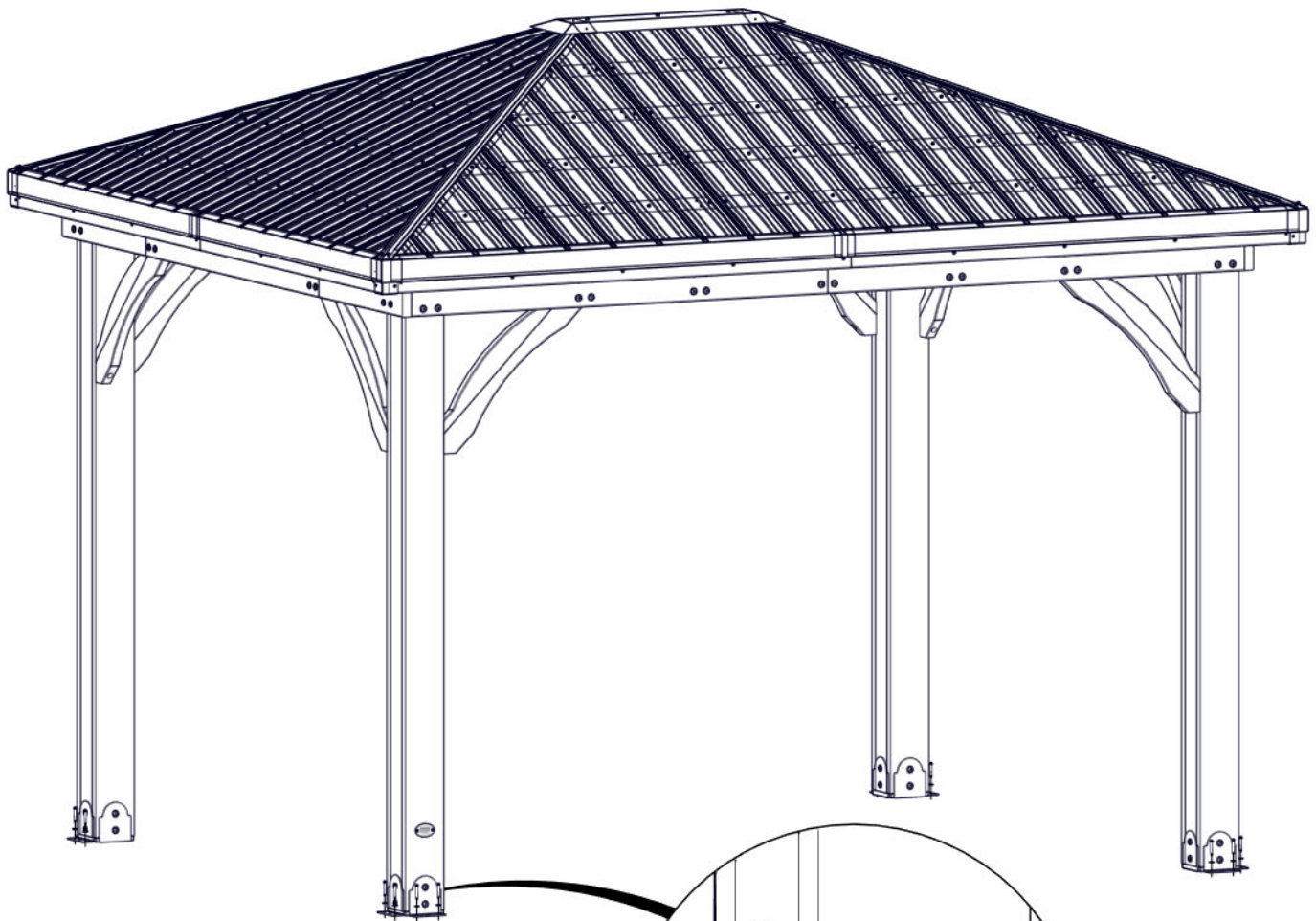
241 (x1)  
ID TAG

# STEP 42 - GAZEBO ASSEMBLY

Qty	PART NUMBER	DESCRIPTION
16	H100120	CONCRETE ANCHOR 1/4"x2"
16	H100630	WASHER FLAT 8x19 BLK

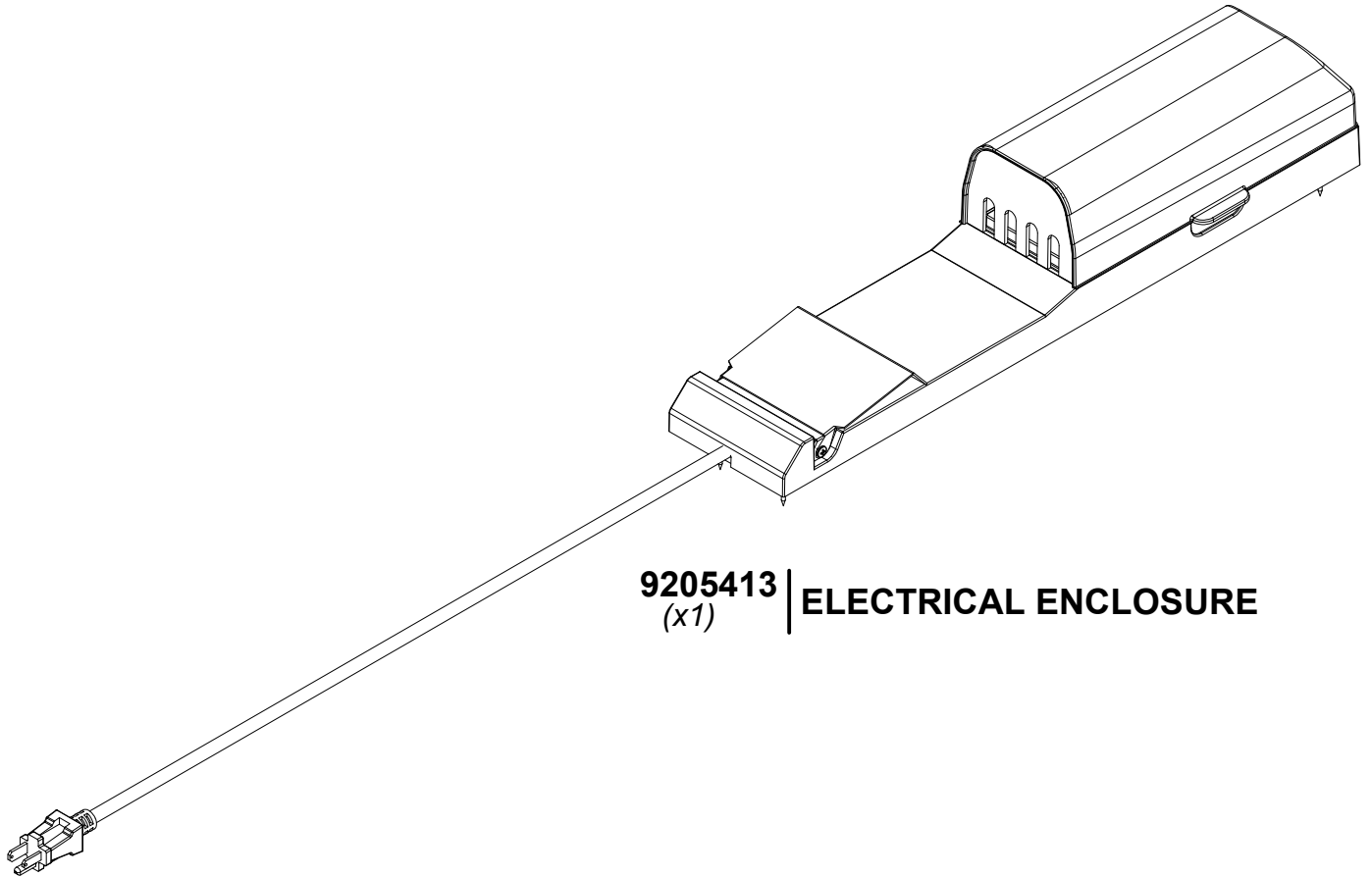
**NOTES:**  
MANUFACTURER RECOMMENDS INSTALLATION ON CONCRETE POST PADS, SEE BELOW.

FOR INSTALLATION ON A WOOD DECK, YOU MUST ENSURE THERE IS AMPLE STRUCTURAL SUPPORT UNDER DECK. SCREWS ARE NOT PROVIDED TO ATTACH TO A DECK.



120 (x16)  
CONCRETE SCREW

630 (x16)  
WASHER - 8x19



**9205413** | **ELECTRICAL ENCLOSURE**  
*(x1)*

FOR POWERPORT INSTALLATION REFER TO ASSEMBLY INSTRUCTIONS THAT COME PACKAGED WITH THE POWERPORT KIT. INSTALL ON ANY POST THAT IS DESIRED. FOLLOW DIRECTIONS FOR PROPER INSTALLATION.